

PRODUCT REFERENCE SHEET

©2005

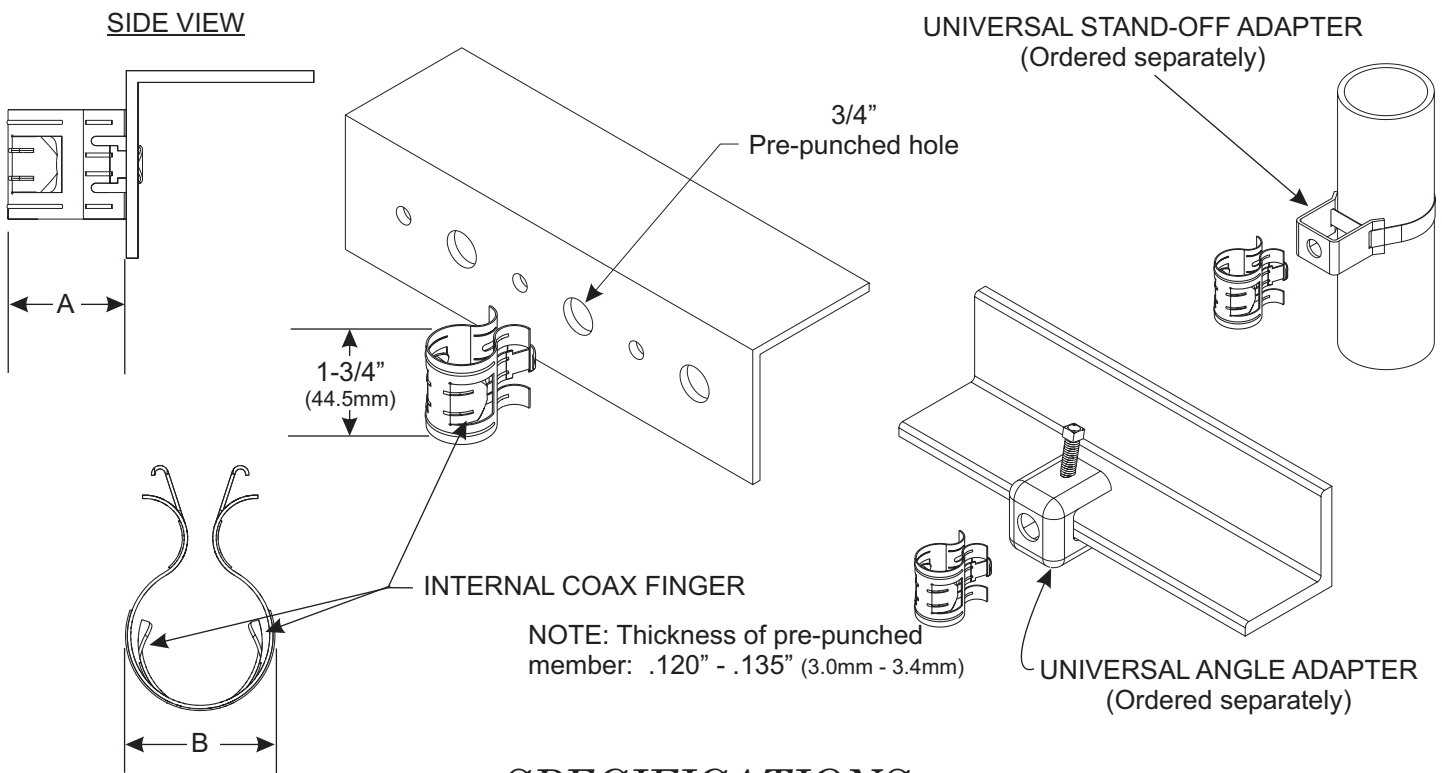
Universal Snap-in Hanger Kits for Coaxial Cable Applications

1126 PR E

PRODUCT DESCRIPTION

Universal Snap-in Hangers simplify installation of coaxial cable by eliminating the need for mounting hardware. Coax fingers inside the body of the hanger automatically adjust to the outer diameter of the coax jacket. These unique internal coax fingers allow the Universal Snap-in Hanger to effectively support many manufactured brands of coaxial cable. Universal Snap-in Hangers are designed to insert into a 3/4" hole in material between .120" and .135" thick (11GA or 1/8" (3.2mm) material is optimum). Universal Snap-in Hangers are manufactured from stainless steel ensuring long term integrity over the life of the product in extreme environments including mountain tops, coastal and industrial applications.

TYPICAL APPLICATIONS



SPECIFICATIONS

UNIVERSAL SNAP-IN HANGER KITS				
Part #	Description	"A"	"B"	Kit Qty
SH-U12	Universal Snap-in Hanger for 1/2" Corrugated Cell Reach [®] , AirCell [®] Coaxial Cable, and LMR-600	1-1/4" (31.8mm)	1" (25.4mm)	Kit of 10
SH-U38	Universal Snap-in Hanger for 3/8" Corrugated Cell Reach [®] , AirCell [®] Coaxial Cable, LMR-400, and LMR-500	3/8" (9.525mm)	5/16" (7.94mm)	Kit of 10
SH-U58	Universal Snap-in Hanger for 5/8" Corrugated Cell Reach [®] , AirCell [®] Coaxial Cable, and LMR-900	1-1/2" (38.1mm)	1-1/4" (31.8mm)	Kit of 10
SH-U78	Universal Snap-in Hanger for 7/8" Corrugated Cell Reach [®] , AirCell [®] Coaxial Cable, and LMR-1200	1-7/8" (47.6mm)	1-1/2" (38.1mm)	Kit of 10
SH-U114	Universal Snap-in Hanger for 1-1/4" Corrugated Cell Reach [®] , AirCell [®] Coaxial Cable, and LMR-1700	2-3/8" (60.3mm)	2" (50.8mm)	Kit of 10
SH-U158	Universal Snap-in Hanger for 1-5/8" Corrugated Cell Reach [®] , AirCell [®] Coaxial Cable	2-5/8" (66.7mm)	2-3/8" (60.3mm)	Kit of 10
SH-U214	Universal Snap-in Hanger for 2-1/4" Corrugated Coaxial Cable	3-1/8" (79.4mm)	2-3/4" (69.9mm)	Kit of 10



The Americas
Tel: +1.203.759.3744
Fax: +1.203.759.3748

Europe
Tel: +31.(0)77.3961840
Fax: +31.(0)77.3961849

Asia
Tel: +65.6899.9282
Fax: +65.6566.7913

...Consider it Done!

ISO 9001:2000 Registered