

PRODUCT REFERENCE SHEET

©2005

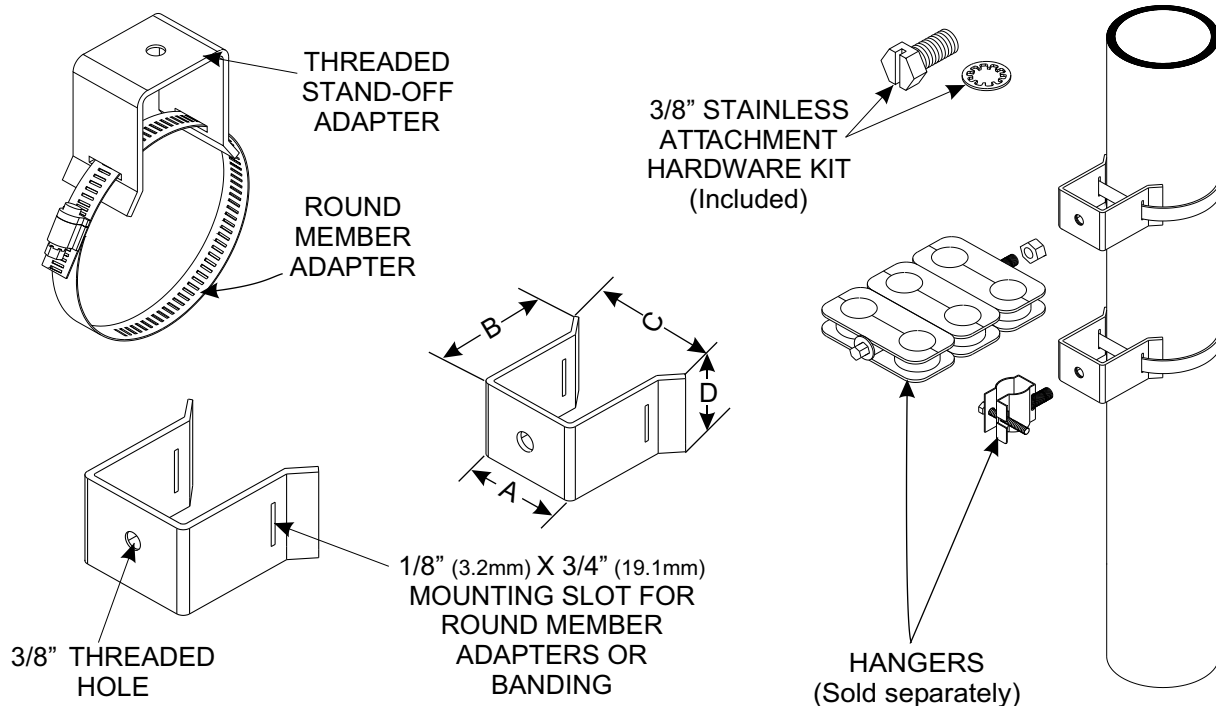
Stand-off Adapter Kits For Hanger Applications

1452 PR C

PRODUCT DESCRIPTION

Stand-off Adapter Kits enable hangers to be mounted to 1" (25.4mm) or larger round members. The Stand-off Adapter will accommodate hangers or other accessories which utilize a 3/8" threaded hole. Round Member Adapters and hanger mounting hardware are included. All components are manufactured from stainless steel to provide excellent corrosion resistance and ensure long term integrity in extreme weather applications.

TYPICAL APPLICATIONS



SPECIFICATIONS

Finish: all material and hardware is stainless steel.

STAND-OFF ADAPTER KITS									
Part Number	Description	"A"	"B"	"C"	"D"	Round Member Adapter Qty.	Threaded Stand-off Adapter Qty.	Stainless Toothed Lock Washer Qty.	3/8" x 3/4" Slotted Hex-head Bolt Qty.
SA-38S	Stand-off Adapter	1.75" (44.5mm)	2.25" (57.2mm)	2.375" (60.3mm)	1.50" (38.1mm)	0	10	10	10
SA-38S100	Stand-off Adapter for 1" to 2" (25.4mm to 50.8mm) OD members.	1.25" (31.8mm)	1.50" (38.1mm)	1.50" (38.1mm)	1.50" (38.1mm)	10	10	10	10
SA-38S200	Stand-off Adapter for 2" to 3" (50.8mm to 76.2mm) OD members.	1.75" (44.5mm)	2.25" (57.2mm)	2.375" (60.3mm)	1.50" (38.1mm)	10	10	10	10
SA-38S300	Stand-off Adapter for 3" to 4" (76.2mm to 101.6mm) OD members.	1.75" (44.5mm)	2.25" (57.2mm)	2.375" (60.3mm)	1.50" (38.1mm)	10	10	10	10
SA-38S400	Stand-off Adapter for 4" to 5" (101.6mm to 127mm) OD members.	1.75" (44.5mm)	2.25" (57.2mm)	2.375" (60.3mm)	1.50" (38.1mm)	10	10	10	10
SA-38S500	Stand-off Adapter for 5" to 6" (127mm to 152.4mm) OD members.	1.75" (44.5mm)	2.25" (57.2mm)	2.375" (60.3mm)	1.50" (38.1mm)	10	10	10	10
SA-38S600	Stand-off Adapter for 6" to 8" (152.4mm to 203.2mm) OD members.	1.75" (44.5mm)	2.25" (57.2mm)	2.375" (60.3mm)	1.50" (38.1mm)	10	10	10	10
SA-38S800	Stand-off Adapter for 8" to 10" (203.2mm to 254mm) OD members.	1.75" (44.5mm)	2.25" (57.2mm)	2.375" (60.3mm)	1.50" (38.1mm)	10	10	10	10



The Americas
Tel: +1.203.759.3744
Fax: +1.203.759.3748

Europe
Tel: +31.(0)77.3961840
Fax: +31.(0)77.3961849

Asia
Tel: +65.6899.9282
Fax: +65.6566.7913

...Consider it Done!

ISO 9001:2000 Registered