

---

# PRODUCT REFERENCE SHEET

---

©2005

## Standard Ground Kit

for Coaxial Cable and Elliptical Waveguide Applications

1166 PR K (Pg. 1 of 2)

---

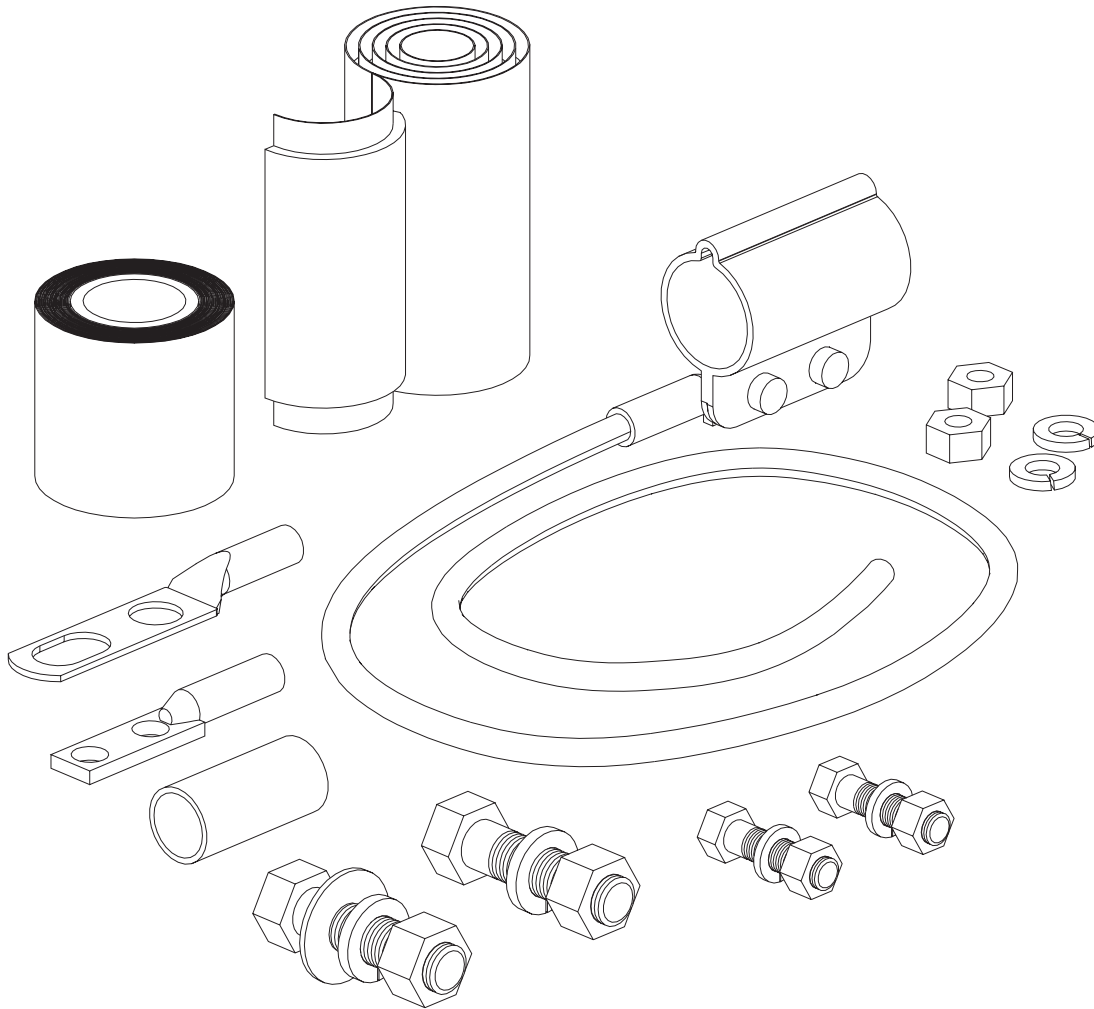
### PRODUCT DESCRIPTION

The Standard Ground Kit facilitates easy installation with a 24 gauge 1-5/8" (41.3mm) wide pre-formed copper strap that eliminates the need for a coiling tool and prevents over-tightening. This kit is designed to comply with MIL-STD-188-124A and has been verified by independent labs to protect coax from the damaging effects of lightning current in excess of 200 kA. Each kit includes a 5' (1.5m) , 6-gauge 7-strand copper ground lead which can be trimmed to the exact length required for a neat and effective installation. Included in each kit are one 1/4" two-hole ground lug, one 3/8" two-hole Universal Ground Lug, and all hardware necessary for attachment to the buss bar. The innovative 3/8" universal lug features a unique slotted design which allows it to accommodate 3/4" to 1" buss bar hole spacings, ensuring a perfect fit in any ground system. The Standard Ground Kit also includes required mastic and electrical tape for weatherproofing each kit. Standard Ground Kits can also be provided with factory attached lugs and with different lead lengths.

---

### TYPICAL APPLICATIONS

---



**The Americas**  
Tel: +1.203.759.3744  
Fax: +1.203.759.3748

**Europe**  
Tel: +31.(0)77.3961840  
Fax: +31.(0)77.3961849

**Asia**  
Tel: +65.6899.9282  
Fax: +65.6566.7913

*...Consider it Done!*

ISO 9001:2000 Registered

# SPECIFICATIONS

©2005

**Material:**

- Pre-formed Strap: 24 Gauge Copper
- Tensioning Hardware: Copper
- Ground Lugs: Tinned Copper
- Lead: 6-Gauge, 7-Strand Insulated Copper Wire.
- Lug Attachment Hardware: Stainless Steel
- Attachment Hardware: Stainless Steel

1166 PR K (Pg. 2 of 2)

<b>STANDARD GROUND KITS FOR COAX</b>			
Part #	Description	Weight lbs. (kg)	Kit Qty.
<b>COAXIAL CABLE</b>			
GK-S14	Standard Ground Kit for 1/4" Coaxial Cable	1.8 (0.9)	Each
GK-S38	Standard Ground Kit for 3/8" Coaxial Cable	1.9 (0.9)	Each
GK-S12	Standard Ground Kit for 1/2" Coaxial Cable	2.0 (0.9)	Each
GK-S58	Standard Ground Kit for 5/8" Coaxial Cable	2.0 (0.9)	Each
GK-S78	Standard Ground Kit for 7/8" Coaxial Cable	2.0 (0.9)	Each
GK-S114	Standard Ground Kit for 1-1/4" Coaxial Cable	2.0 (0.9)	Each
GK-S158	Standard Ground Kit for 1-5/8" Coaxial Cable	2.0 (0.9)	Each
GK-S214	Standard Ground Kit for 2-1/4" Coaxial Cable	2.1 (1.0)	Each
<b>CELL REACH® COAX</b>			
GK-S12CR	Standard Ground Kit for 1/2" Cell Reach® Coax	2.0 (0.9)	Each
GK-S78CR	Standard Ground Kit for 7/8" Cell Reach® Coax	2.0 (0.9)	Each
GK-S158CR	Standard Ground Kit for 1-5/8" Cell Reach® Coax	2.0 (0.9)	Each
<b>AIR CELL® COAX</b>			
GK-S12AC	Standard Ground Kit for 1/2" AirCell® Coax	1.9 (0.9)	Each
GK-S58AC	Standard Ground Kit for 5/8" AirCell® Coax	1.9 (0.9)	Each
GK-S78AC	Standard Ground Kit for 7/8" AirCell® Coax	2.0 (0.9)	Each
GK-S158AC	Standard Ground Kit for 1-5/8" AirCell® Coax	2.0 (0.9)	Each
<b>TIMES LMR</b>			
GK-S195T	Standard Ground Kit for LMR-195 Coax	1.9 (0.9)	Each
GK-S200T	Standard Ground Kit for LMR-200 Coax	1.9 (0.9)	Each
GK-S240T	Standard Ground Kit for LMR-240 Coax	1.9 (0.9)	Each
GK-S300T	Standard Ground Kit for LMR-300 Coax	2.0 (0.9)	Each
GK-S400T	Standard Ground Kit for LMR-400 Coax	1.9 (0.9)	Each
GK-S500T	Standard Ground Kit for LMR-500 Coax	2.0 (0.9)	Each
GK-S600T	Standard Ground Kit for LMR-600 Coax	2.0 (0.9)	Each
GK-S900T	Standard Ground Kit for LMR-900 Coax	2.0 (0.9)	Each
GK-S1200T	Standard Ground Kit for LMR-1200 Coax	1.5 (0.7)	Each
GK-S1700T	Standard Ground Kit for LMR-1700 Coax	2.0 (0.9)	Each
<b>ELLIPTICAL WAVEGUIDE</b>			
GK-S37	Standard Ground Kit for Type E38	2.6 (1.2)	Each
GK-S43	Standard Ground Kit for Type EW43	2.6 (1.2)	Each
GK-S46	Standard Ground Kit for Type ES46	2.6 (1.2)	Each
GK-S52	Standard Ground Kit for Type EW52 & E60	2.0 (0.9)	Each
GK-S63	Standard Ground Kit for Type EW63 & E65	2.0 (0.9)	Each
GK-S64	Standard Ground Kit for Type EW64	2.0 (0.9)	Each
GK-S77	Standard Ground Kit for Type EW77 & E78	2.0 (0.9)	Each
GK-S85	Standard Ground Kit for Type EW85, EW90 & E105	1.9 (0.9)	Each
GK-S127	Standard Ground Kit for Type EW127 & E130	2.0 (0.9)	Each
GK-S132	Standard Ground Kit for Type EW132 & E150	2.1 (1.0)	Each
GK-S180	Standard Ground Kit for Type EW180 & E185	1.9 (0.9)	Each
GK-S220	Standard Ground Kit for Type EW220	2.0 (0.9)	Each



**The Americas**  
Tel: +1.203.759.3744  
Fax: +1.203.759.3748

**Europe**  
Tel: +31.(0)77.3961840  
Fax: +31.(0)77.3961849

**Asia**  
Tel: +65.6899.9282  
Fax: +65.6566.7913

*...Consider it Done!*

ISO 9001:2000 Registered