

PRODUCT REFERENCE SHEET

©2005

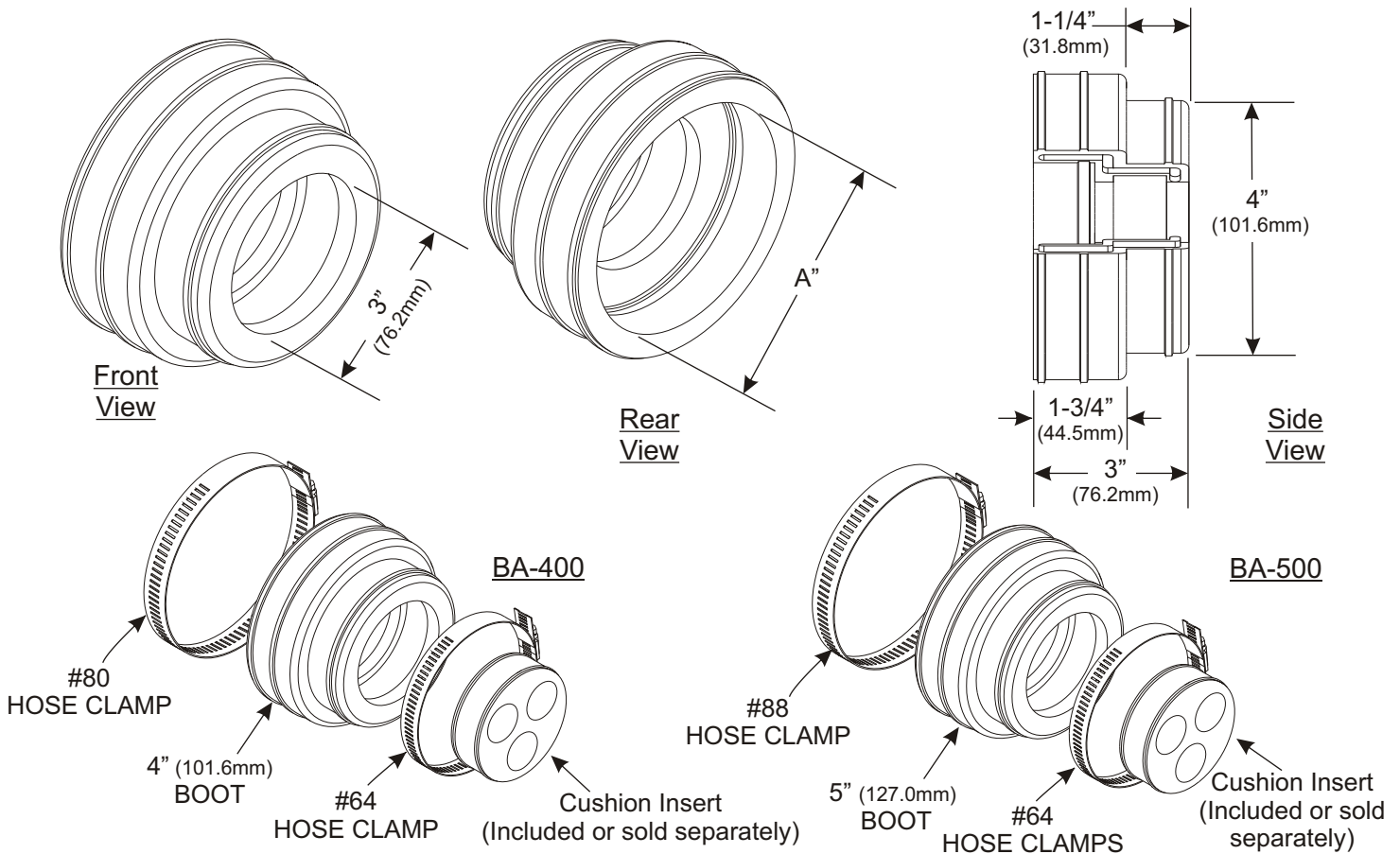
Feed-Thru Boot Assemblies for Coaxial Cable Applications

1048 PR M (Pg. 1 of 2)

PRODUCT DESCRIPTION

Feed-Thru Boot assemblies feature a one-piece design which dramatically reduces installation time and difficulty. The split, one piece style simplifies mounting by freeing the installers hands in order to position the coax runs, insert the cushion and tighten the round member adapter clamps without having to hold two separate pieces of boot in place. Boot assemblies are designed to be fitted onto EP series Entry Panels in wall-roof feed-through applications. The durable boot is unaffected by ozone, sunlight, aging, or hot and cold extremities, and is designed to meet ASTM-12000 AND ASE J 2000 specifications. Each boot assembly includes the boot and two round member adapter clamps. SC-Series cushion inserts fit inside the boot assembly to hold the coax in place. The cushion inserts may be ordered with the boot or separately to accommodate specific application requirements. See chart below and on second page.

TYPICAL APPLICATIONS



SPECIFICATIONS

FEED-THRU BOOT ASSEMBLIES						
Part Number	Description	Rubber Thickness	"A"	Wt. Lbs. (Wt. Kg)	Kit Qty.	
BA-400	4" (101.6mm) Boot Assembly (Cushion not included)	1/2" (12.7mm)	4" (101.6mm)	1.3 (0.6)	Each	
BA-500	5" (127mm) Boot Assembly (Cushion not included)	1/2" (12.7mm)	5" (127mm)	1.6 (0.7)	Each	

*NOTE: For boot assemblies with cushions included, see page 2.



The Americas
Tel: +1.203.759.3744
Fax: +1.203.759.3748

Europe
Tel: +31.(0)77.3961840
Fax: +31.(0)77.3961849

Asia
Tel: +65.6899.9282
Fax: +65.6566.7913

...Consider it Done!

ISO 9001:2000 Registered

FEED-THRU BOOT ASSEMBLIES			
Part Numbers		Nominal	No. of
4" (101.6mm) Boot	5" (127mm) Boot	Size	Holes
Corrugated Coaxial Cable			
BA-400	BA-500	N/A	0
BA-BA	BA-BB	N/A	0
BA-38-1A	BA-38-1B	3/8" (11.3mm)	1
BA-38-2A	BA-38-2B	3/8" (11.3mm)	2
BA-38-3A	BA-38-3B	3/8" (11.3mm)	3
BA-38-4A	BA-38-4B	3/8" (11.3mm)	4
BA-38-5A	BA-38-5B	3/8" (11.3mm)	5
BA-38-6A	BA-38-6B	3/8" (11.3mm)	6
BA-38-9A	BA-38-9B	3/8" (11.3mm)	9
BA-12-1A	BA-12-1B	1/2" (12.7mm)	1
BA-12-2A	BA-12-2B	1/2" (12.7mm)	2
BA-12-3A	BA-12-3B	1/2" (12.7mm)	3
BA-12-4A	BA-12-4B	1/2" (12.7mm)	4
BA-12-5A	BA-12-5B	1/2" (12.7mm)	5
BA-12-6A	BA-12-6B	1/2" (12.7mm)	6
BA-12F-1A	BA-12F-1B	1/2" (12.7mm)	1
BA-12F-2A	BA-12F-2B	1/2" (12.7mm)	2
BA-12F-3A	BA-12F-3B	1/2" (12.7mm)	3
BA-12F-4A	BA-12F-4B	1/2" (12.7mm)	4
BA-12F-5A	BA-12F-5B	1/2" (12.7mm)	5
BA-12F-6A	BA-12F-6B	1/2" (12.7mm)	6
BA-78-1A	BA-78-1B	7/8" (22.2mm)	1
BA-78-2A	BA-78-2B	7/8" (22.2mm)	2
BA-78-3A	BA-78-3B	7/8" (22.2mm)	3
BA-78-4A	BA-78-4B	7/8" (22.2mm)	4
BA-114-1A	BA-114-1B	1-1/4" (31.8mm)	1
BA-158-1A	BA-158-1B	1-5/8" (41.3mm)	1
BA-214-1A	BA-214-1B	2-1/4" (57.2mm)	1
Part Numbers		Elliptical Size	No. of
4" (101.6mm) Boot	5" (127mm) Boot	Type	Holes
Elliptical Waveguide			
BA-37-1A	BA-37-1B	WE37	1
BA-46-1A	BA-46-1B	WE46	1
BA-52-1A	BA-52-1B	EW52 & WE61	1
BA-63-1A	BA-63-1B	EW63 & WE65	1
BA-70-1A	BA-70-1B	E70	1
BA-77-1A	BA-77-1B	EW77 & WE78	1
BA-85-1A	BA-85-1B	EW85 & WE108	1
BA-90-1A	BA-90-1B	EW90	1
BA-127-1A	BA-127-1B	EW127 & WE130	1
BA-150-1A	BA-150-1B	WE150	1
BA-180-1A	BA-180-1B	EW180 & WE191	1
BA-220-1A	BA-220-1B	EW220	1
Cell Reach® Cable			
BA-78CR-1A		7/8" (22.2mm)	1