

# PRODUCT REFERENCE SHEET

## Angle Adapter Kits for Hanger Applications

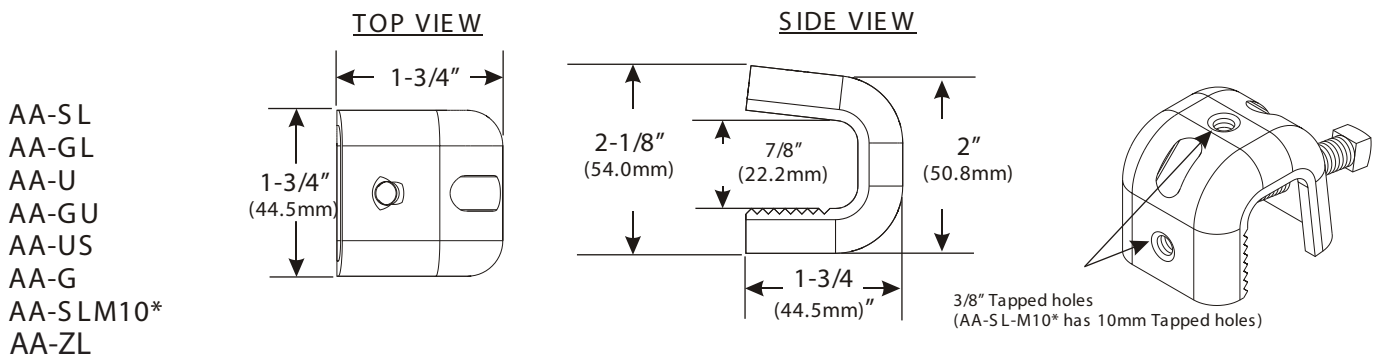
1141 PR J

### PRODUCT DESCRIPTION

Angle Adapters provide an effective transition allowing the installer to easily secure hangers to solid angle members or in areas where mounting holes are not easily accessible. The 8 ga. stainless steel construction remains corrosion free ensuring long term system integrity throughout extreme weather conditions. The steel set bolt locks the angle adapter to standard tower members or to mounting surfaces less than 7/8" thick. The toothed jaw effectively secures large volumes of coax in heavy wind and ice loading conditions. Three 3/8" tapped holes enable the AngleAdapter to accommodate hanger types which utilize 3/8" mounting hardware. Angle Adapter Kits include 10 angle adapters, set bolts fillister screws and washers.

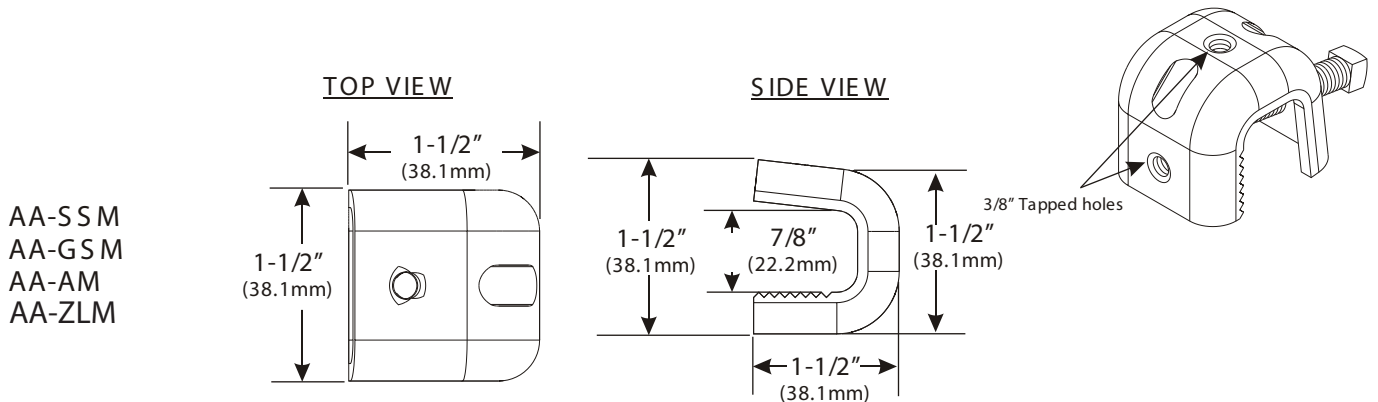
## TYPICAL APPLICATIONS

### LARGE VERSION



\*Note: Dimensions are for reference only

### SMALL VERSION



## MATERIAL SPECIFICATIONS

AA-SL.....Stainless Steel, Large 304 SS  
AA-GL.....Galvanized Steel, Large A153  
AA-U.....Stainless Steel, 304SS  
AA-G.....Galvanized Steel, A153, Snap-in  
AA-US.....Stainless Steel, 304SS, Snap-in  
AA-ZL.....Zinc Plated Steel, B633

AA-GU.....Galvanized Steel, A153  
AA-SSM.....Stainless Steel, Small, 304SS  
AA-GSM.....Galvanized Steel, Small, 304SS  
AA-AM.....Aluminum, Metric Version  
AA-SLM10\*.....Stainless Steel, Large, 304SS, Metric Version  
AA-ZLM.....Zinc Plated Steel, Small, B633

\*Note: Dimensions are for reference only



The Americas  
Tel: +1.203.759.3744  
Fax: +1.203.759.3748

Europe  
Tel: +31.(0)77.3961840  
Fax: +31.(0)77.3961849

Asia  
Tel: +65.6899.9282  
Fax: +65.6566.7913