

EUPEN CABLE USA, INC.

www.eupen.us



Accessories Products

REV D - 2015

INNOVATION & TRADITION

100 Years of Cable Manufacturing



EUPEN CABLE USA, INC.

www.eupen.us

100 Years of Cable Manufacturing
INNOVATION & TRADITION



Eupen cultivates *Innovation* in the ever-changing landscape of emerging technology.

- The People of Eupen are called upon to solve the most difficult problems in the most challenging environments.
- Eupen Products are transformed from forward-thinking ideas into adaptable, creative solutions for the future.

Eupen upholds a time-honored *Tradition* of impeccable quality.

- The People of Eupen are committed to providing dependable service and pinpoint accuracy.
- Eupen Products are designed to exacting standards and produced to deliver steadfast reliability.

Cables | Connectors | Tools | Jumpers | Site Accessories

Contact Eupen for all your cable needs

1.800.419.5100 www.eupen.us

5181 110th Ave N. Unit D, Clearwater, Florida 33760

Quick Reference

Pictorial Table of Contents

 Universal Barrel Cushion p. 2	 Barrel Cushions p. 3	 Cushion Inserts p. 4	 Mini Cable Support Blocks p. 5	 Large Cable Support Blocks p. 5	 Cable Block Assembly Clamps p. 6-8
 Mounting Hardware Kits for Cable Support Blocks and Hangar Clamps p. 9	 Butterfly Hangers p. 12	 Universal Snap-In Hangers p. 13	 3-Way Stand-Off Adaptor p. 13	 Stackable Snap-In Hangers p. 13	 Universal Angle Adaptors p. 14
 Angle Adaptors p. 14	 Stand-Off Adaptors p. 15	 Pre-Laced Hoisting Grips p. 16	 Lace-Up Hoisting Grips p. 16	 Universal Weather Proofing Kits p. 17	 Self Amalgamating Tape p. 17
 EZ Seal Weather Enclosures™ p. 18	 4" Feed-Through Entry Panels p. 20	 5" Feed-Through Entry Panels p. 21	 4" Boot Assembly Kits p. 22	 5" Boot Assembly Kits p. 23	 Standard Cable Cushions p. 24
 Standard Cable Cushion Plugs p. 25	 Cushion Hanger Assemblies p. 26	 Standard Ground Kits p. 28	 Clip-On Ground Kits p. 29	 Universal Ground Kits p. 30	 Ground Buss Bar Kits p. 31
 Surge Arrestors p. 35	 Universal Buss Bar Hardware Kits p. 36	 Tamper Resistant Buss Bar Hardware Kits p. 36	 Arrestor Trapeze Kits p. 37	 Enclosure Mounts p. 39	 Cold Shrink Breakouts p. 39



Table of Contents

Quick Reference Pictorial Table of Contents

Barrel Cushions, Cable Blocks & Mounting Accessories..... I

Universal Barrel Cushions — U.S. Patent Pending.....2

Cable Accessories

Barrel Cushions	3
Cushion Inserts.....	4
Mini Cable Support Blocks.....	5
Large Cable Support Blocks.....	5

Hanger Solutions

Cable Block Assembly Clamps.....	6
Cable Block Assemblies.....	8
Hanger Clamps.....	8
Stainless Steel Mounting Hardware Kits for Mini and Large Cable Support Blocks	9
Mounting Hardware Kits for Cable Support Blocks and Hanger Clamps.....	9
Steel Adaptor Bracket.....	10
Adaptor Bracket	10
Mini Adaptor Bracket.....	10
45° Adaptor Kit.....	10
Threaded Rod Support Kits.....	11
Mini Cluster Support Bracket.....	11
Hanger Hardware Kits	11
Butterfly Hangers	12
Standard Hangers	12
Clip Hangers.....	13
3-Way Stand-Off Adaptor.....	13
Universal Snap-In Hangers.....	13
Stackable Snap-In Hangers.....	13

Support Accessories

Universal Angle Adaptors.....	14
Angle Adaptors.....	14
Stand-Off Adaptors	15
Snap-In Stand-Off Adaptors.....	15
Round Member Adaptors	15

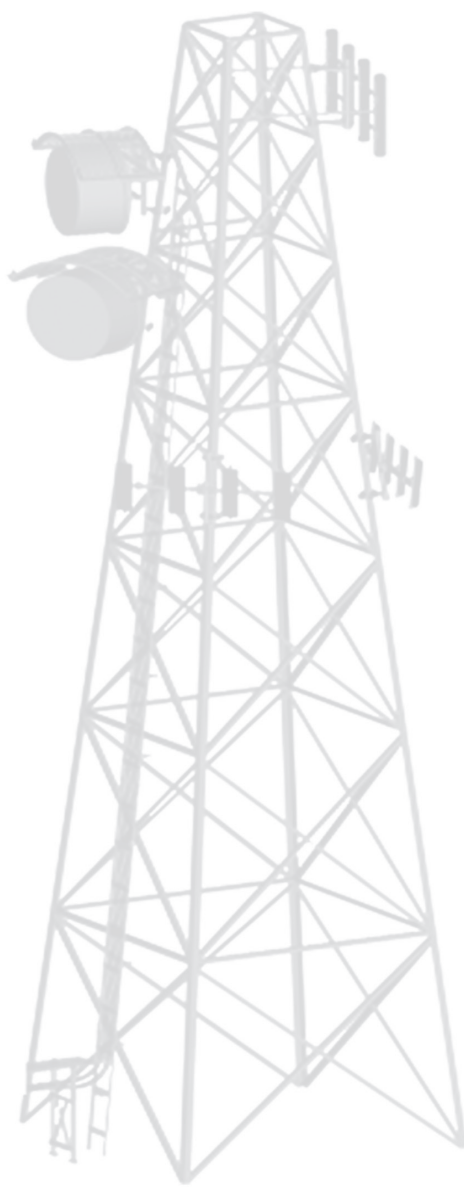


Table of Contents (cont'd)



Hoisting Grips

Pre-Laced Hoisting Grips..... 16

Lace-up Hoisting Grips..... 16

Weather Proofing

Weather Proofing

Universal Weather Proofing Kits..... 17

Self-Amalgamating Tape 17

Colored Marking Tape 17

Cold Shrink Weather Proofing Kits..... 17

EZ Seal Weather Enclosures 18

Weather Enclosures..... 18

Entry Ports, Boot Assemblies, Standard Cushions & Plugs and Cushion Hanger Assemblies 19

Entry Port Solutions

Entry Ports

4" Feed-Thru Entry Panels 20

5" Feed-Thru Entry Panels 21

Boot Assemblies with Cushion Inserts

4" Boot Assembly Kits..... 22

5" Boot Assembly Kits..... 23

Feed-Thru Boot Assemblies..... 24

Standard Cable Cushions..... 24

Standard Cable Cushion Plugs..... 25

Cushion Hanger Assemblies..... 26

Cushion Hanger Assembly

Smaller Cable Cushion Assemblies..... 26

Grounding Solutions 27

Grounding Solutions

Grounding Kits

Standard Ground Kits..... 28

Tinned Standard Ground Kits..... 28

Clip-On Ground Kits..... 29



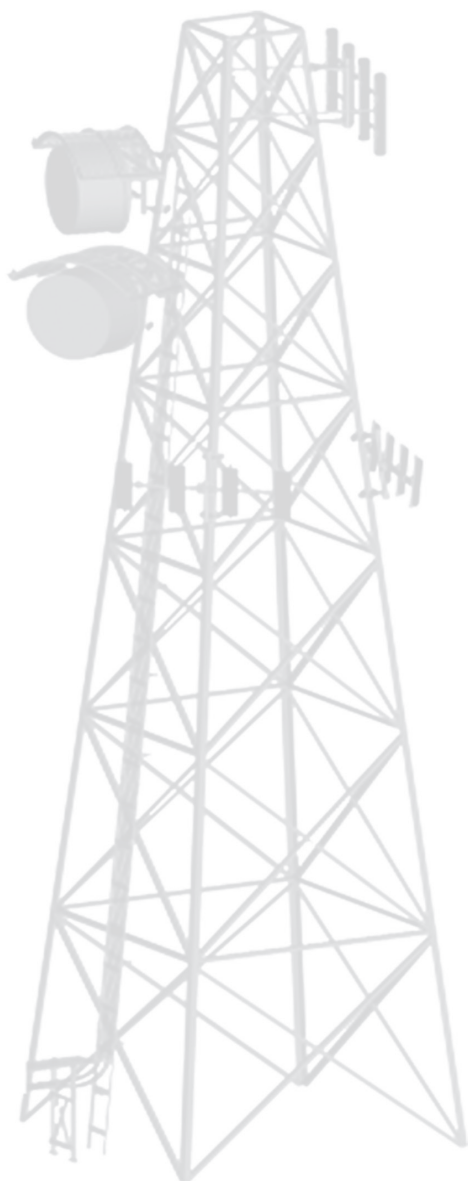
Table of Contents (cont'd)

Grounding Solutions — *cont'd*

- Tinned Clip-On Ground Kits..... 29
- QuickGrip® Ground Kits 29
- Universal Ground Kits..... 30
- Tinned Universal Ground Kits..... 30
- Easy Install Ground Kits
for Coaxial Cable Applications 30

Ground Buss Bar Kits

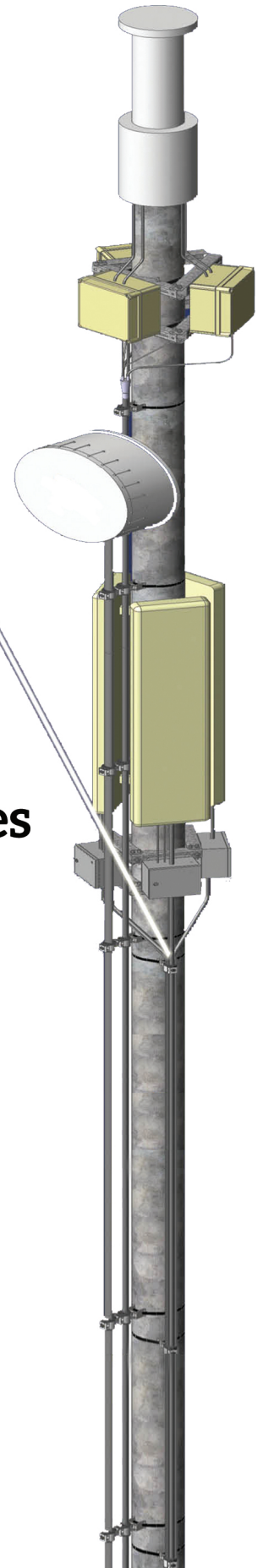
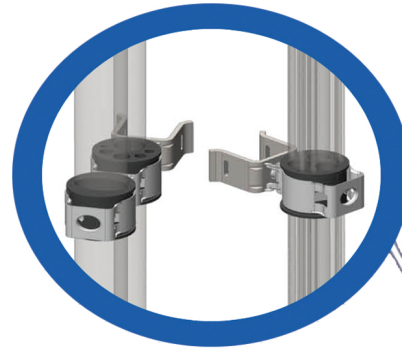
- Ground Buss Bar Kits, 2" x 10" 31
- Ground Buss Bar Kits, 2" x 12" 31
- Ground Buss Bar Kits, 2-1/2" x 12-1/2" 32
- Ground Buss Bar Kits, 2" x 14" 32
- Ground Buss Bar Kits, 2-1/2" x 19-1/2" 33
- Ground Buss Bar Kits, 4" x 12" 33
- Ground Buss Bar Kits, 4" x 14" 34
- Ground Buss Bar Kits, 4" x 20" 34
- Ground Buss Bar Kits, 4" x 24" 35
- Ground Lug Washer..... 35
- Surge Arrestors..... 35
- Ground Bar Lock Box 35
- Universal Buss Bar Hardware Kit..... 36
- Tamper Resistant Buss Bar Hardware Kit 36
- Arrestor Trapeze Kit..... 37





EUPEN CABLE USA, Inc.

www.eupen.us



Barrel Cushions Cable Blocks Mounting Accessories

Barrel Cushions

The solution to mount bundled, elliptical or individual cables. Multiple hole sizes and configurations available

INNOVATION & TRADITION

100 Years of Cable Manufacturing

Cable Accessories

Universal Barrel Cushions — U.S. Patent Pending

Universal Barrel Cushions provide versatility in all applications reducing material and installation costs by having the ability to mount a wide range of cable sizes in a single cushion with a single attachment point.

The unique design allows them to be individually installed utilizing Butterfly Hangers or stacked out with Stackable Hangers and Mini Cable Blocks. Barrel Cushions are constructed from UV-resistant, EPDM rubber which is durable in extreme temperatures and harsh environmental conditions.

New **Universal Barrel Cushions** are available in 7/8", 1-5/8" and 2-1/4" sizes to accommodate all types of cable installation.

Part #	Description	Kit Qty	Wt. Lbs. (Wt. Kg)
BC-U78	4mm up to 14mm Cable Range	10	0.49 (0.22)
BC-U158	14mm up to 36mm Cable Range	10	1.3 (0.59)
BC-U214	14mm up to 45mm Cable Range	10	2.25 (1.02)

Our materials are

- U.S. Engineered
- Designed from a global patent,
- Environmentally ROHS compliant,
- Quality tested for durability and strength to supersede all industry standards.

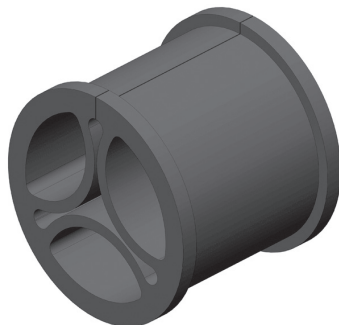
Mounting Options



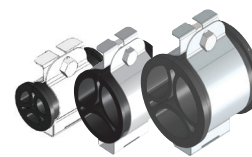
BC-U78



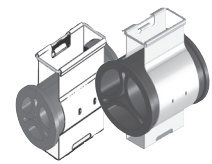
BC-U158



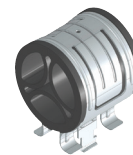
BC-U214



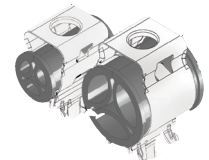
Butterfly Hangers
(7/8", 1-5/8" and 2-1/4")



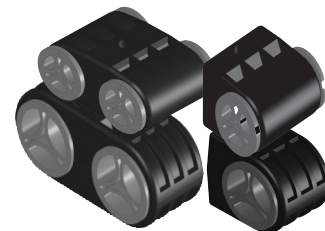
Clip Hangers
(7/8" and 1-5/8")



Snap-In Hanger
(7/8", 1-5/8" and 2-1/4")



Stackable Snap-in Hanger
(7/8" and 1-5/8")

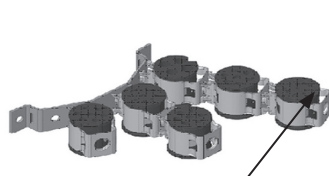
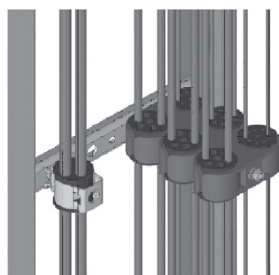


Cable Blocks
(7/8", 1-5/8" and 2-1/4")

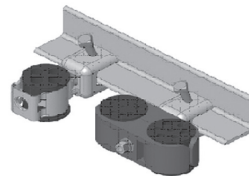


Cable Accessories

Barrel Cushions*



U.S. Pat. # 6,354,543 & 6,161,804



Cable Accessories

Part #	Description	Kit Qty	Wt. Lbs. (Wt. Kg)
BC053383	0.2" [5mm] (3) and 0.39" [10mm] (3) to 1-5/8" Barrel Cushion	Kit of 10	0.2 (0.9)
BC0539163	3/16" [4.5mm] (3) 0.39" and 9/16" [14mm] (3) to 1-5/8" Barrel Cushion	Kit of 10	0.2 (0.9)
BC053P13X11	3/16" [4.5mm] (3) and Power 1/2" [13mm] x 7/16" [11mm] (3) to 1-5/8" Barrel Cushion	Kit of 10	0.2 (0.9)
BC06183	1/4" [6mm] (6) and 3/4" [18.5mm] (3) to 1-5/8" Barrel Cushion	Kit of 10	0.1 (0.05)
BC073P13X11	1/4" [6.1mm] (3) and Power 1/2" [13mm] x 7/16" [11mm] (3) to 1-5/8" Barrel Cushion	Kit of 10	0.2 (0.9)
BC08510953	0.334" [8.5mm] and 0.374" [9.5mm] (3) 1-5/8" Barrel Cushion	Kit of 10	0.2 (0.9)
BC08511093	0.334" [8.5mm] and 0.428" [10.9mm] (3) to 1-5/8" Barrel Cushion	Kit of 10	0.2 (0.9)
BC08511473	0.334" [8.5mm] and 0.58" [14.7mm] (3) to 1-5/8" Barrel Cushion	Kit of 10	0.2 (0.9)
BC124	1/2" [16mm] (4) to 1-5/8" Barrel Cushion	Kit of 10	0.2 (0.9)
BC13114	12mm to 1-1/4" Barrel Cushion	Kit of 10	0.149 (0.07)
BC134214	44mm to 2-1/4" Barrel Cushion	Kit of 10	0.145 (0.07)
BC1378	12mm to 7/8" Barrel Cushion	Kit of 10	0.063 (0.03)
BC138114	1-3/8" [35mm] to 1-1/4" Barrel Cushion	Kit of 10	0.05 (0.02)
BC1410	1/4" [6mm] (10) to 1-5/8" Barrel Cushion	Kit of 10	0.2 (0.9)
BC14381258	1/4" (4), 3/8" (2), 1/2" and 5/8" to 2-1/4" Barrel Cushion	Kit of 10	0.2 (0.9)
BC1439163	0.24" [6.1mm] (3) and 0.57" [14.5mm] (3) to 1-5/8" Barrel Cushion	Kit of 10	0.2 (0.9)
BC144122	1/4" [6mm] (4) and 1/2" [16mm] (2) to 1-5/8" Barrel Cushion	Kit of 10	0.2 (0.9)
BC144384	1/4" [6mm] (4) and 3/8" [10mm] (4) to 1-5/8" Barrel Cushion	Kit of 10	0.2 (0.9)
BC144582	1/4" [6mm] (4) and 5/8" [21mm] (2) to 1-5/8" Barrel Cushion	Kit of 10	0.2 (0.9)
BC24114	15/16" [24mm] to 1-1/4" Barrel Cushion	Kit of 10	0.1 (0.05)
BC24158	15/16" [24mm] to 1-5/8" Barrel Cushion	Kit of 10	0.1 (0.05)
BC2431158	15/16" to 1.22" [24mm - 31mm] to 1-5/8" Barrel Cushion	Kit of 10	0.1 (0.05)

Part #	Description	Kit Qty	Wt. Lbs. (Wt. Kg)
BC2478	15/16" [24mm] to 7/8" Barrel Cushion	Kit of 10	0.03 (0.01)
BC3819163	0.39" [10mm] and 0.57" [14.5mm] (3) to 1-5/8" Barrel Cushion	Kit of 10	0.2 (0.9)
BC384122	3/8" [10mm] (4) and 1/2" [16mm] (2) to 1-5/8" [16mm] Barrel Cushion	Kit of 10	0.2 (0.9)
BC384582	3/8" [10mm] (4) and 5/8" [21mm] (2) to 2-1/4" Barrel Cushion	Kit of 10	0.2 (0.9)
BC387	3/8" [10mm] (7) to 1-5/8" Barrel Cushion	Kit of 10	0.2 (0.9)
BC5612152023	5mm, 6mm, 12mm, 15mm, 20mm and 23mm to 1-5/8" Barrel Cushion	Kit of 10	0.1 (0.05)
BC56152023	5mm, 6mm, 15mm, 20mm and 23mm to 1-5/8" Barrel Cushion	Kit of 10	0.1 (0.05)
BC567121530	5mm, 6mm, 7mm, 12mm, 15mm and 30mm to 1-5/8" Barrel Cushion	Kit of 10	0.1 (0.05)
BC582	5/8" [21mm] (2) to 1-5/8" Barrel Cushion	Kit of 10	0.2 (0.9)
BC6810121425	6mm, 8mm, 10mm, 12mm, 14mm and 25mm to 1-5/8" Barrel Cushion	Kit of 10	0.1 (0.05)
BC-127-1	EU127 Elliptical waveguide to 1-5/8" Barrel Cushion	Kit of 10	0.2 (0.9)
BC-63-1	EU63 Elliptical waveguide to 2-1/4" Barrel Cushion	Kit of 10	0.2 (0.9)
BC-77-1	EU77 Elliptical waveguide to 2-1/4" Barrel Cushion	Kit of 10	0.2 (0.9)
BC-90-1	EU90 Elliptical waveguide to 1-5/8" Barrel Cushion	Kit of 10	0.1 (0.05)

* Many Other Sizes Available Upon Request

Cable Accessories

Cushion Inserts*



CIN14114

CINE040612

CINP95X10514

CIN38114

Part #	Description	Kit Qty	Wt. Lbs. (Wt. Kg)
CIN0611	6mm Cable to 11mm Cushion Insert	Kit of 10	0.1 (0.05)
CIN0613	6mm Cable to 13mm Cushion Insert	Kit of 10	0.1 (0.05)
CIN14114	1/4" [7mm-11mm] Cable to 1-1/4" [40mm] Cushion Insert	Kit of 10	0.15 (0.007)
CIN1478	1/4" [7mm] Cable to 7/8" [28mm] Cushion Insert	Kit of 10	0.07 (0.03)
CIN17114	5/8" [17mm-18mm] Cable to 1-1/4" [40mm] Cushion Insert	Kit of 10	0.125 (0.06)
CIN22114	3/4" [22mm-25mm] Cable to 1-1/4" [40mm] Cushion Insert	Kit of 10	0.1 (0.05)
CIN28114	7/8" [27mm-29mm] Cable to 1-1/4" [40mm] Cushion Insert	Kit of 10	0.1 (0.05)
CIN31612	3/16" [5mm-7mm] Cable to 1/2" [16mm] Cushion Insert	Kit of 10	0.02 (0.01)
CIN31678	3/16" [5mm-7mm] Cable to 7/8" [28mm] Cushion Insert	Kit of 10	0.07 (0.03)
CIN33158	33mm Cable to 1-5/8" Cushion Insert	Kit of 10	0.149 (0.07)
CIN38114	3/8" Cable 3/8" [10mm-12mm] Cable to 1-1/4" [40mm] Cushion Insert	Kit of 10	0.01 (0.006)
CIN3812	3/8" [10mm-12mm] Cable to 1/2" [16mm] Cushion Insert	Kit of 10	0.02 (0.01)

Part #	Description	Kit Qty	Wt. Lbs. (Wt. Kg)
CIN38316	0.158" x 0.236" [4mm x 6mm] Elliptical to 3/8" [11mm] Cushion Insert	Kit of 10	0.01 (0.005)
CIN3878	3/8" [10mm] to 7/8" [28mm] Cushion Insert	Kit of 10	0.07 (0.03)
CIN536478	53/64" [21mm] to 7/8" [28mm] Cushion Insert	Kit of 10	0.03 (0.01)
CIN58114	5/8" [17mm-20mm] Cable to 1-1/4" [40mm] Cushion Insert	Kit of 10	0.12 (0.06)
CINE040612	0.158" x 0.236" [4mm x 6mm] Elliptical to 1/2" [16mm] Cushion Insert	Kit of 10	0.02 (0.005)
CINE040638	0.158" x 0.236" [4mm x 6mm] Elliptical to 3/8" [11mm] Cushion Insert	Kit of 10	0.01 (0.005)
CINE040678	0.158" x 0.236" [4mm x 6mm] Elliptical to 7/8" [28mm] Cushion Insert	Kit of 10	0.07 (0.03)
CINE040812	0.158" x 0.315" [4mm x 8mm] Elliptical to 1/2" [16mm] Cushion Insert	Kit of 10	0.02 (0.005)
CINP13X1178	Square Power Cable 1/2" x 7/16" [13mm x 11mm] to 7/8" [28mm] Cushion Insert	Kit of 10	0.06 (0.03)
CINP95X10514	Square Power Cable 0.37" x 0.41" [9.5mm x 10.5mm] to 14mm Cushion Insert	Kit of 10	0.01 (0.005)

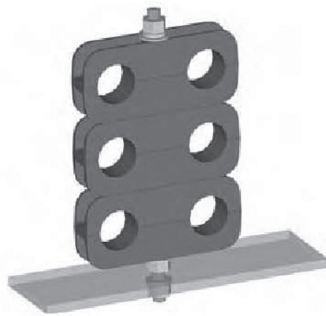
* Many Other Sizes Available Upon Request

Cable Accessories

Hanger Solutions

Mini Cable Support Blocks

App.: Cable Support	Mounts from: 8mm up to 3/8" Threaded Rod
Size: 1/2" to 2-1/4" Cable	Material: Long Glass Polypropylene
	Incl.: Blocks Only
	Order Separately: Mounting Hardware Kits



Part #	Description	Kit Qty	Wt. Lbs (Wt. Kg)
CB-12	Mini Cable Support Blocks for 1/2" Corrugated Cable	Kit of 10	1.0 (0.5)
CB-38	Mini Cable Support Blocks for 3/8" Cable	Kit of 10	0.9 (0.4)
CB-58	Mini Cable Support Blocks for 7/8" Corrugated Cable	Kit of 10	1.2 (0.5)
CB-78	Mini Cable Support Blocks for 7/8" Corrugated Cable	Kit of 10	1.2 (0.5)
CB-114	Mini Cable Support Blocks for 1-1/4" Corrugated Cable	Kit of 10	1.4 (0.6)
CB-158	Mini Coax Support Block for 1 5/8" Corrugated Cable	Kit of 10	1.80 (0.82)
CB-214	Mini Cable Support Blocks for 2-1/4" Cable	Kit of 10	3.54 (1.8)

Large Cable Support Blocks

App.: Cable Support	Mounts from: 8mm up to 3/8" Threaded Rod
Size: 1/4" to 1-5/8" Cable	Material: Polycarbonate
Design: Multi-Run Block Hangers	Incl.: Blocks Only
Feature: Compact Cable Bundles	Order Separately: Mounting Hardware Kits



CBA38



CBA78



CBA114

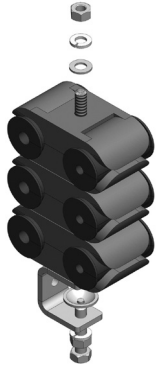


CBA158

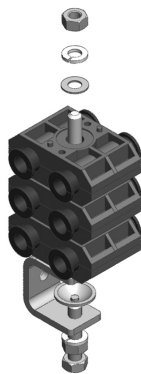
Part #	Description	Kit Qty	Wt. Lbs. (Wt. Kg)
CB-A4	Hanger Clamp for 4m x 6mm Fiber Kit	Kit of 10	1.26 (0.6)
CB-A14	Cable Block for 1/4" Cables (6-8mm)	Kit of 10	0.2 (0.09)
CB-A38	Cable Block for 3/8" Cables (10-12mm)	Kit of 10	0.90 (0.48)
CB-A12	Cable Block for 1/2" Cables (15.5-17.5mm)	Kit of 10	0.80 (0.36)
CB-A78	Cable Block for 7/8" Cables (27-29mm)	Kit of 10	1.80 (0.82)
CB-A114	Cable Block for 1-1/4" Cables (39-42mm)	Kit of 10	2.60 (1.2)
CB-A158	Cable Block for 1-5/8" Cables (50-54mm)	Kit of 10	4.20 (1.9)

Cable Accessories

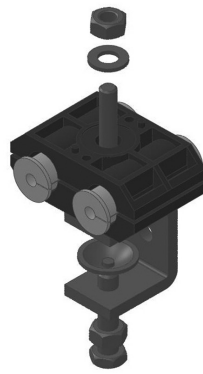
Cable Block Assembly Clamps



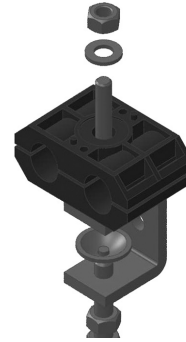
CBA Series



CBA12X3



CB-AXXSS-8 Cushion



CB-AXXSS-8



CBA38

Part #	Description	Kit Qty	Wt. Lbs. (Wt. Kg)
CBA4SS8	Hanger Clamp Assembly for Two (2), 1/4" Fiber w/ 4-6mm Cushion Insert, 8mm Stainless Steel Hardware Single Stack	Each	0.36 (0.16)
CBA4DS8	Hanger Clamp Assembly for Four (4), 1/4" Fiber, w/ 4-6mm Cushion Insert, 8mm Stainless Steel Hardware Double Stack	Each	0.42 (0.19)
CBA4TS8	Hanger Clamp Assembly for Six (6), 1/4" Fiber, w/ 4-6mm Cushion Insert, 8mm Stainless Steel Hardware Triple Stack	Each	0.49 (0.22)
CBA14SS8	Hanger Clamp Assembly for Two (2), 1/4" Cable, 8mm Stainless Steel Hardware Single Stack	Each	0.33 (0.14)
CBA14DS8	Hanger Clamp Assembly for (4), 1/4" Cable, 8mm Stainless Steel Hardware Double Stack	Each	0.37 (0.17)
CBA14TS8	Hanger Clamp Assembly for (6), 1/4" Cable, 8mm Stainless Steel Hardware Triple Stack	Each	0.42 (0.19)
CBA38SS8	Hanger Clamp Assembly for Two (2), 3/8" Cable, 8mm Stainless Steel Hardware Single Stack	Each	0.33 (0.14)
CBA38DS8	Hanger Clamp Assembly for Four (4), 3/8" Cable, 8mm Stainless Steel Hardware Double Stack	Each	0.37 (0.16)
CBA38TS8	Hanger Clamp Assembly for Six (6), 3/8" Cable, 8mm Stainless Steel Hardware Triple Stack	Each	0.42 (0.19)
CBA38316SS8	Hanger Clamp Assembly for Two (2), 3/8" Cable, w/ One (1) 4-6mm Fiber Cushion Insert, 8mm Stainless Steel Hardware Single Stack	Each	0.47 (0.21)
CBA38316DS8	Hanger Clamp Assembly for Four (4), 3/8" Cable, w/ Two (2) 4-6mm Fiber Cushion Insert, 8mm Stainless Steel Hardware Double Stack	Each	0.60 (0.30)
CBA38316TS8	Hanger Clamp Assembly for Six (6), 3/8" Cable, w/ Three (3) 4-6mm Fiber Cushion Insert, 8mm Stainless Steel Hardware Triple Stack	Each	0.73 (0.33)

Part #	Description	Kit Qty	Wt. Lbs. (Wt. Kg)
CBA12SS8	Hanger Clamp Assembly for Two (2), 1/2" Cable, 8mm Stainless Steel Hardware Single Stack	Each	0.34 (0.14)
CBA12DS8	Hanger Clamp Assembly for Four (4), 1/2" Cable, 8mm Stainless Steel Hardware Double Stack	Each	0.40 (0.19)
CBA12TS8	Hanger Clamp Assembly for Six (6), 1/2" Cable, 8mm Stainless Steel Hardware Triple Stack	Each	0.51 (0.23)
CBASF12SS8	Hanger Clamp Assembly for Two (2), 1/2" Super Flex Cable, 8mm Stainless Steel Hardware Single Stack	Each	0.34 (0.14)
CBASF12DS8	Hanger Clamp Assembly for Four (4), 1/2" Super Flex Cable, 8mm Stainless Steel Hardware Double Stack	Each	0.40 (0.19)
CBASF12TS8	Hanger Clamp Assembly for Six (6), 1/2" Super Flex Cable, 8mm Stainless Steel Hardware Triple Stack	Each	0.51 (0.23)
CBASF12316SS8	Hanger Clamp Assembly for Two (2), 1/2" Cable, w/ One (1) 3/16" Cushion Insert, 8mm Stainless Steel Hardware Single Stack	Each	0.42 (0.19)
CBASF12316DS8	Hanger Clamp Assembly for Four (4), 1/2" Cable, w/ Two (2) 3/16" Cushion Insert, 8mm Stainless Steel Hardware Double Stack	Each	0.51 (0.23)
CBASF12316TS8	Hanger Clamp Assembly for Six (6), 1/2" Cable, w/ Three (3) 3/16" Cushion Insert, 8mm Stainless Steel Hardware Triple Stack	Each	0.60 (0.27)
CBA78SS8	Hanger Clamp Assembly for Two (2), 7/8" Cable, 8mm Stainless Steel Hardware Single Stack	Each	0.42 (0.19)
CBA78DS8	Hanger Clamp Assembly for Four (4), 7/8" Cable, 8mm Stainless Steel Hardware Double Stack	Each	0.53 (0.24)
CBA78TS8	Hanger Clamp Assembly for Six (6), 7/8" Cable, 8mm Stainless Steel Hardware Triple Stack	Each	0.58 (0.26)



Cable Accessories

Cable Block Assembly Clamps (cont'd)

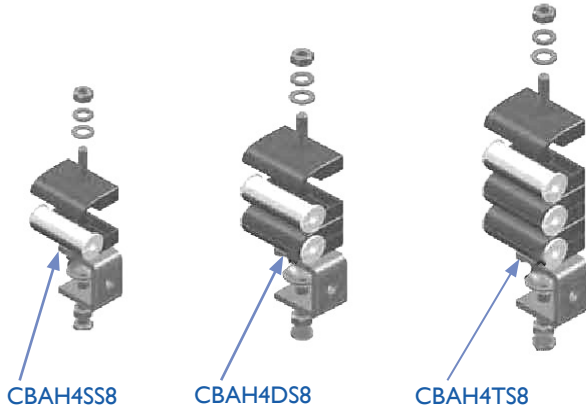
Part #	Description	Kit Qty	Wt. Lbs. (Wt. Kg)
CBA7858SS8	Hanger Clamp Assembly for Two (2), 7/8" Cable, w/ Two (2) 5/8" Cushion Insert, 8mm Stainless Steel Hardware Single Stack	Each	0.58 (0.26)
CBA7858DS8	Hanger Clamp Assembly for Four (4), 7/8" Cable, w/ Four (4) 5/8" Cushion Insert, 8mm Stainless Steel Hardware Double Stack	Each	0.80 (0.36)
CBA7858TS8	Hanger Clamp Assembly for Six (6), 7/8" Cable, w/ Six (6) 5/8" Cushion Insert, 8mm Stainless Steel Hardware Triple Stack	Each	1.03 (0.47)
CBA7814SS8	Hanger Clamp Assembly for Two (2), 7/8" Cable, w/ One (1) 1/4" Cushion Insert, 8mm Stainless Steel Hardware Single Stack	Each	0.57 (0.25)
CBA7814DS8	Hanger Clamp Assembly for Four (4), 7/8" Cable, w/ Two (2) 1/4" Cushion Insert, 8mm Stainless Steel Hardware Single Stack	Each	0.81 (0.36)
CBA7814TS8	Hanger Clamp Assembly for Six (6), 7/8" Cable, w/ Three (3) 1/4" Cushion Insert, 8mm Stainless Steel Hardware Single Stack	Each	1.05 (0.47)
CBA78P10F7SS8	Hanger Clamp Assembly for Two (2), 7/8" Cable, w/ One (1) 1/4" Cushion Insert & One (1) 3/8" Cushion Insert, 8mm Stainless Steel Hardware Single Stack	Each	0.63 (0.29)
CBA78P10F7DS8	Hanger Clamp Assembly for Four (4), 7/8" Cable, w/ Two (2) 1/4" Cushion Insert & Two (2) 3/8" Cushion Insert, 8mm Stainless Steel Hardware Double Stack	Each	0.94 (0.42)
CBA78P10F7TS8	Hanger Clamp Assembly for Six (6), 7/8" Cable, w/ Three (3) 1/4" Cushion Insert & Three (3) 3/8" Cushion Insert, 8mm Stainless Steel Hardware Triple Stack	Each	1.26 (0.57)
CBA78P20F7SS8	Hanger Clamp Assembly for Two (2), 7/8" Cable, w/ One (1) 20mm Power Cushion Insert & One (1) 7mm Fiber Cushion Insert, 8mm Stainless Steel Hardware Single Stack	Each	0.53 (0.24)
CBA78P20F7DS8	Hanger Clamp Assembly for Four (4), 7/8" Cable, w/ Two (2) 20mm Power Cushion Inserts & Two (2) 7mm Fiber Cushion Inserts, 8mm Stainless Steel Hardware Double Stack	Each	0.65 (0.29)
CBA78P20F7TS8	Hanger Clamp Assembly for Six (6), 7/8" Cable, w/ Three (3) 20mm Power Cushion Inserts & Three (3) 7mm Fiber Cushion Inserts, 8mm Stainless Steel Hardware Triple Stack	Each	1.12 (0.51)
CBA78P13X11F7SS8	Hanger Clamp Assembly for Two (2), 7/8" Cable, w/ One (1) 1/4" Cushion Insert & One (1) 1/2 x 7/16" Square Cushion Insert, 8mm Stainless Steel Hardware Single Stack	Each	0.63 (0.28)
CBA78P13X11F7DS8	Hanger Clamp Assembly for Four (4), 7/8" Cable, w/ Two (2) 1/4" Cushion Insert & Two (2) 1/2 x 7/16" Square Cushion Insert, 8mm Stainless Steel Hardware Double Stack	Each	0.93 (0.42)

Cable Block Assembly Clamps (cont'd)

Part #	Description	Kit Qty	Wt. Lbs. (Wt. Kg)
CBA78P13X11F7TS8	Hanger Clamp Assembly for Six (6), 7/8" Cable, w/ Three (3) 1/4" Cushion Insert & Three (3) 1/2 x 7/16" Square Cushion Insert, 8mm Stainless Steel Hardware Triple Stack	Each	1.23 (0.56)
CBA78F58X9SS8	Hanger Clamp Assembly for Two (2) 7/8" Cables, w/ One (1) 5mm Cushion Insert (6 Holes) & One (1) 8.1mm x 9.4mm Square Cushion Insert (Three Holes), 8mm Stainless Steel Hardware Single Stack	Each	0.54 (0.25)
CBA78F58X9DS8	Hanger Clamp Assembly for Four (4) 7/8" Cables, w/ Two (2) 5mm Cushion Inserts (6 Holes) & Two (2) 8.1mm x 9.4mm Square Cushion Inserts (3 Holes), 8mm Stainless Steel Hardware Double Stack	Each	0.75 (0.34)
CBA78F58X9TS8	Hanger Clamp Assembly for Six (6) 7/8" Cables, w/ (3) 5mm Cushion Insert (6 Holes) & Three (3) 8.1mm x 9.4mm Square Cushion Insert (3 Holes), 8mm Stainless Steel Hardware Triple Stack	Each	0.94 (0.42)
CBA78F59X11SS8	Hanger Clamp Assembly for Two (2) 7/8" Cables, w/ One (1) 5mm Cushion Insert (6 Holes) & One (1) 9.1mm x 10.9mm Square Cushion Insert (3 Holes), 8mm Stainless Steel Hardware Single Stack	Each	0.54 (0.24)
CBA78F59X11DS8	Hanger Clamp Assembly for Four (4) 7/8" Cables, w/ Two (2) 5mm Cushion Inserts (6 Holes) & Two (2) 9.1mm x 10.9mm Square Cushion Inserts (3 Holes), 8mm Stainless Steel Hardware Double Stack	Each	0.74 (0.33)
CBA78F59X11TS8	Hanger Clamp Assembly for Six (6) 7/8" Cables, w/ Three (3) 5mm Cushion Insert (6 Holes) & Three (3) 9.1mm x 10.9mm Square Cushion Insert (3 Holes), 8mm Stainless Steel Hardware Triple Stack	Each	0.94 (0.43)
CBA114SS8	Hanger Clamp Assembly for Two (2) 1-1/4" Cable, 8mm Stainless Steel Hardware Single Stack	Each	0.43 (0.19)
CBA114DS8	Hanger Clamp Assembly for Four (4) 1-1/4" Cable, 8mm Stainless Steel Hardware Double Stack	Each	0.59 (0.26)
CBA114TS8	Hanger Clamp Assembly for Six (6) 1-1/4" Cable, 8mm Stainless Steel Hardware Triple Stack	Each	0.74 (0.33)
CBA158SS8	Hanger Clamp Assembly for Two (2) 1-5/8" Cable, 8mm Stainless Steel Hardware Single Stack	Each	0.49 (0.22)
CBA158DS8	Hanger Clamp Assembly for Four (4) 1-5/8" Cable, 8mm Stainless Steel Hardware Double Stack	Each	0.67 (0.30)
CBA158TS8	Hanger Clamp Assembly for (6) 1-5/8" Cable, 8mm Stainless Steel Hardware Triple Stack	Each	0.94 (0.42)

Cable Accessories

Cable Block Assemblies



Part #	Description	Kit Qty	Wt. Lbs. (Wt. Kg)
8mm Stainless Steel Hanger Half Clamp Assemblies			
CBAH4SS8	Hanger Half Clamp Assembly, 1/4" Fiber, w/ 4-6mm Cushion Insert, 8mm Stainless Steel Hardware Single Stack	Each	0.36 (0.16)
CBAH4DS8	Hanger Half Clamp Assembly, 1/4" Fiber, w/ 4-6mm Cushion Insert, 8mm Stainless Steel Hardware Double Stack	Each	0.42 (0.19)
CBAH4TS8	Hanger Half Clamp Assembly, 1/4" Fiber, w/ 4-6mm Cushion Insert, 8mm Stainless Steel Hardware Triple Stack	Each	0.49 (0.22)
CBAH14SS8	Hanger Half Clamp Assembly, 1/4" Cable, 8mm Stainless Steel Hardware Single Stack	Each	0.33 (0.14)
CBAH14DS8	Hanger Half Clamp Assembly, 1/4" Cable, 8mm Stainless Steel Hardware Double Stack	Each	0.37 (0.17)
CBAH14TS8	Hanger Half Clamp Assembly, 1/4" Cable, 8mm Stainless Steel Hardware Triple Stack	Each	0.42 (0.19)
CBAH38SS8	Hanger Half Clamp Assembly, 3/8" Cable, 8mm Stainless Steel Hardware Single Stack	Each	0.33 (0.14)
CBAH38DS8	Hanger Half Clamp Assembly, 3/8" Cable, 8mm Stainless Steel Hardware Double Stack	Each	0.37 (0.16)
CBAH38TS8	Hanger Half Clamp Assembly, 3/8" Cable, 8mm Stainless Steel Hardware Triple Stack	Each	0.42 (0.19)
CBAH12SS8	Hanger Half Clamp Assembly, 1/2" Cable, 8mm Stainless Steel Hardware Single Stack	Each	0.34 (0.14)
CBAH12DS8	Hanger Half Clamp Assembly, 1/2" Cable, 8mm Stainless Steel Hardware Double Stack	Each	0.40 (0.19)
CBAH12TS8	Hanger Half Clamp Assembly, 1/2" Cable, 8mm Stainless Steel Hardware Triple Stack	Each	0.51 (0.23)
CBAH78SS8	Hanger Half Clamp Assembly, 7/8" Cable, 8mm Stainless Steel Hardware Single Stack	Each	0.42 (0.19)
CBAH78DS8	Hanger Half Clamp Assembly, 7/8" Cable, 8mm Stainless Steel Hardware Double Stack	Each	0.53 (0.24)
CBAH78TS8	Hanger Half Clamp Assembly, 7/8" Cable, 8mm Stainless Steel Hardware Triple Stack	Each	0.58 (0.26)
CBAH114SS8	Hanger Half Clamp Assembly, 1-1/4" Cable, 8mm Stainless Steel Hardware Single Stack	Each	0.43 (0.19)
CBAH114DS8	Hanger Half Clamp Assembly, 1-1/4" Cable, 8mm Stainless Steel Hardware Double Stack	Each	0.59 (0.26)

Part #	Description	Kit Qty	Wt. Lbs. (Wt. Kg)
CBAH114TS8	Hanger Half Clamp Assembly, 1-1/4" Cable, 8mm Stainless Steel Hardware Triple Stack	Each	0.74 (0.33)
CBAH158SS8	Hanger Half Clamp Assembly, 1-5/8" Cable, 8mm Stainless Steel Hardware Single Stack	Each	0.49 (0.22)
CBAH158DS8	Hanger Half Clamp Assembly, 1-5/8" Cable, 8mm Stainless Steel Hardware Double Stack	Each	0.67 (0.30)
CBAH158TS8	Hanger Half Clamp Assembly, 1-5/8" Cable, 8mm Stainless Steel Hardware Triple Stack	Each	0.94 (0.42)

Hanger Clamps*

App.: Cable Support	Mounts from: 8mm Up to 3/8" Threaded Rod
Size: 1/2" to 1-5/8" Cable	
Design: Single-Run Hangers	Material: Polycarbonate
Feature: Compact Cable Bundles	Incl.: Blocks Only
	Order Separately: Mounting Hardware Kits



Part #	Description	Kit Qty	Wt. Lbs. (Wt. Kg)
CB-12H	Hanger Clamps for 1/2" Corrugated Cable	Kit of 10	0.5 (0.2)
CB-78H	Hanger Clamps for 7/8" Corrugated Cable	Kit of 10	1.0 (0.5)
CB-114H	Hanger Clamps for 1-1/4" Corrugated Cable	Kit of 10	1.3 (0.6)
CB-158H	Hanger Clamps for 1-5/8" Corrugated Cable	Kit of 10	1.8 (0.8)

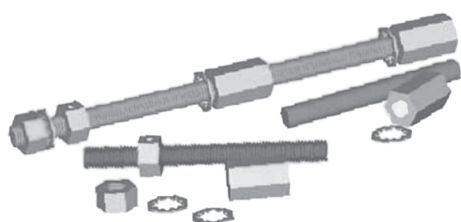
* Many Other Sizes Available Upon Request



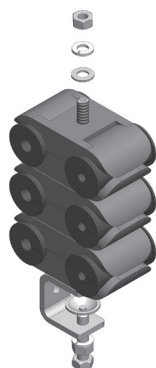
Cable Accessories

Stainless Steel Mounting Hardware Kits for Mini and Large Cable Support Blocks

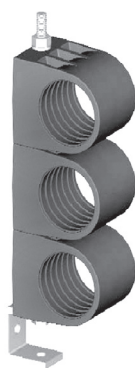
App.: Cable Support	Mounts to: —
Size: 3/8"	Material: Stainless Steel
Design: Starter and Extender Kits	Incl.: Threaded Rod and Hardware
Feature: Stacks and Expands Cable Blocks	Order Separately: Additional Accessories



Part #	Description	Kit Qty	Wt. Lbs. (Wt. Kg)
HK-SCBL	Starter Hardware Kit for Cable Support Blocks	Kit of 10	3.6 (1.6)
HK-SCBL158	Starter Hardware Kit for 1-5/8" Cable Support Blocks	Kit of 10	3.8 (1.7)
HK-SCBL214	Starter Hardware Kit for 2-1/4" Cable Support Blocks	Kit of 10	4.0 (1.8)
HK-ECBL	Extender Hardware Kit for Cable Support Blocks	Kit of 10	2.3 (1.0)
HK-ECBL158	Extender Hardware Kit for 1-5/8" Cable Support Blocks	Kit of 10	2.6 (1.2)
HK-ECBL214	Extender Hardware Kit for 2-1/4" Cable Support Blocks	Kit of 10	2.7 (1.2)



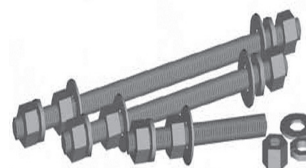
CBA Series
Cable Block Assembly Clamps
pg. 6



CB Series
Hanger Clamps
pg. 8

Mounting Hardware Kits for Cable Support Blocks and Hanger Clamps

App.: Cable Support	Mounts to: —
Size: 3/8"-10mm Versions	Material: Galvanized 3/8" or Stainless Steel 10mm
Design: 1, 2, and 3-Stack Threaded Rod Kits	Incl.: Threaded Rod and Hardware
Feature: Stacks Cable Blocks	Order Separately: Additional Hardware



Part #	Description	Kit Qty	Wt. Lbs. (Wt. Kg)
3/8" Galvanized Hardware Kits			
HK-SSCB	3/8" Galvanized Hardware Kit for One (1) Cable Support Block.	Kit of 10	1.8 (0.8)
HK-SSCB158	3/8" Galvanized Hardware Kit for (1) 1-5/8" Cable Support Blocks	Kit of 10	2.5 (1.1)
HK-DSCB	3/8" Galvanized Hardware Kit for Two (2) Cable Support Blocks.	Kit of 10	2.3 (1.0)
HK-DSCB158	3/8" Galvanized Hardware Kit for (2) 1-5/8" Cable Support Blocks	Kit of 10	1.9 (0.9)
HK-TSCB	3/8" Galvanized Hardware Kit for Three (3) Cable Support Blocks.	Kit of 10	2.8 (1.3)
HK-TSCB158	3/8" Galvanized Hardware Kit for (3) 1-5/8" Cable Support Blocks	Kit of 10	3.2 (1.5)
10mm Stainless Steel Hardware Kits			
HK-SSCB-M10	10mm Stainless Steel Hardware Kit for One (1) Cable Support Block.	Kit of 10	1.8 (0.8)
HK-SSCB158-M10	10mm Stainless Steel Hardware Kit for (1) 1-5/8" Cable Support Blocks	Kit of 10	1.9 (0.9)
HK-DSCB-M10	10mm Stainless Steel Hardware Kit for Two (2) Cable Support Blocks.	Kit of 10	2.3 (1.0)
HK-DSCB158-M10	10mm Stainless Steel Hardware Kit for (2) 1-5/8" Cable Support Blocks	Kit of 10	2.5 (1.1)
HK-TSCB-M10	10mm Stainless Steel Hardware Kit for Three (3) Cable Support Blocks.	Kit of 10	2.8 (1.3)
HK-TSCB158-M10	10mm Stainless Steel Hardware Kit for (3) 1-5/8" Cable Support Blocks	Kit of 10	3.2 (1.5)

Cable Accessories

Steel Adaptor Bracket

App.: Cable Support
Design: Adapts Hangers to Flat Surfaces
Feature: Compact Design

Material: Stainless Steel
Incl.: Bracket with Pan Head Set Bolt
Order Separately: Additional Accessories



Part #	Description	Kit Qty	Wt. Lbs. (Wt. Kg)
MT-C8703	Stainless Steel Adaptor Bracket for 3/8" Hardware	Kit of 10	2.3 (1.0)
MT-C8703-M8	Stainless Steel Adaptor Bracket for M8 Hardware	Kit of 10	2.3 (1.0)
MT-C8703-M10	Stainless Steel Adaptor Bracket for M10 Hardware	Kit of 10	2.3 (1.0)
AB-CBH	Stainless Steel Adaptor Bracket for M10 Hardware (Bracket Only)	Kit of 10	2.3 (1.0)

Mini Adaptor Bracket



Part #	Description	Kit Qty	Wt. Lbs. (Wt. Kg)
AB3810	Mini Adaptor Bracket	Kit of 10	0.5 (0.2)

45° Adaptor Kit

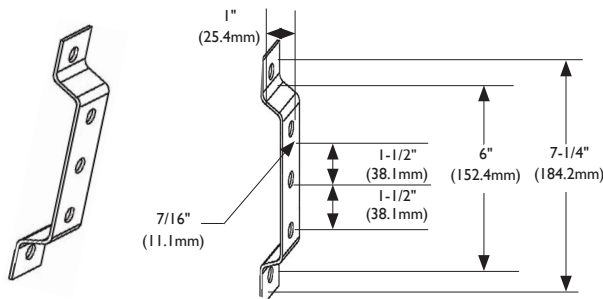
App.: Cable Support
Design: Angled Support Bracket
Feature: Supports Cable at Bend Point

Mounts to: Threaded Rod or Direct to Structure
Material: Stainless Steel
Incl.: Bracket, Bolt, Lock Washer
Order Separately: Hangers



Part #	Description	Kit Qty	Wt. Lbs. (Wt. Kg)
AK45	45° Adaptor Kit	Kit of 10	1.5 (0.7)

Adaptor Bracket



Part #	Description	Kit Qty	Wt. Lbs. (Wt. Kg)
AB-CB	Adaptor Bracket	Kit of 10	4.6 (2.1)



Cable Accessories

Cable Accessories

Threaded Rod Support Kits

App.: Cable Support	Mounts to: Direct to Structure or Multiple Hardware Options
Size: 3/8" or 10mm Rod with Three Lengths	Material: Stainless Steel
Design: Supports Hangers from Ceilings or Walls	Incl.: Threaded Rod, Ceiling Bracket, Hardware
Feature: Complete Mounting Kit	Order Separately: Hangers



Part #	Description	Kit Qty	Wt. Lbs. (Wt. Kg)
3/8" Kits			
TR-SK12	Threaded Rod Support Kit, 3/8" x 12" Long	Each	0.5 (0.2)
TR-SK12-5	Threaded Rod Support Kit, 3/8" x 12" Long	Kit of 5	2.5 (1.1)
TR-SK24	Threaded Rod Support Kit, 3/8" x 24" Long	Each	0.8 (0.4)
TR-SK24-5	Threaded Rod Support Kit, 3/8" x 24" Long	Kit of 5	4.0 (1.8)
TR-SK36	Threaded Rod Support Kit, 3/8" x 36" Long	Each	1.1 (0.5)
TR-SK36-5	Threaded Rod Support Kit, 3/8" x 36" Long	Kit of 5	5.5 (2.5)
10mm Kits			
TR-SK300M10-5	Threaded Rod Support Kit, 10mm x 300mm Long	Kit of 5	2.5 (1.1)
TR-SK600M10-5	Threaded Rod Support Kit, 10mm x 600mm Long	Kit of 5	4.0 (1.8)
TR-SK900M10-5	Threaded Rod Support Kit, 10mm x 900mm Long	Kit of 5	5.5 (2.5)

Mini Cluster Support Bracket

App.: Cable Support	Mounts to: Cable Ladders, Tower Legs and Round Members with the Use of Optional Hardware
Size: 3/4" (19.1mm) and 7/16" (11.1mm) Holes	Material: Hot Dip Galvanized Steel
Design: Three-Run Cluster Bracket	Incl.: Bracket
Feature: Compact Mounting Solutions	Order Separately: Hangers, Mounting Hardware



Part #	Description	Kit Qty	Wt. Lbs. (Wt. Kg)
CS-BS	Mini Cluster Support Bracket	Kit of 10	4.4 (2.0)

Hanger Hardware Kits

App.: Cable Support	Mounts to: —
Size: 3/8" or 10mm	Material: Stainless Steel
Design: Hardware Kit for Hanger attachment to Member	Incl.: Bolts, Nuts, Lock Washers
Feature: —	Order Separately: Hangers

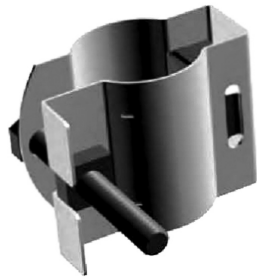


Part #	Description	Kit Qty	Wt. Lbs. (Wt. Kg)
HK-34-10	Hanger Hardware Kit, 3/8" x 3/4" Slotted Hex Head Bolts, Lock Washers and Hex Nuts.	Kit of 10	0.5 (0.2)
HK-100-10	Hanger Hardware Kit, 3/8" x 1" Slotted Head Bolts, Lock Washers and Hex Nuts.	Kit of 10	0.6 (0.3)
HK-M1020-10	Hanger Hardware Kit, 10mm x 20mm Slotted Head Bolts, Lock Washers and Hex Nuts.	Kit of 10	0.8 (0.36)

Cable Accessories

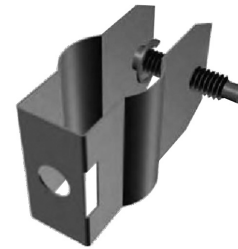
Butterfly Hangers*

App.: Cable Support	Mounts to: 7/16" (11.1mm) Pre-Punched Hole
Size: See Chart	Material: Stainless Steel
Design: Bolt-on Single Run Hangers	Incl.: Hangers and Set Bolts
Feature: Traditional Hanger Solutions	Order Separately: Hardware Kits and Additional Accessories



Standard Hangers*

App.: Cable Support	Mounts to: 7/16" (11.1mm) Pre-Punched Hole
Size: 3/8" to 1-5/8" Cable	Material: Stainless Steel
Design: Pre-Formed Bolt-On Single Run Hanger	Incl.: Hangers and Set Bolts
Feature: Reduced Installation Time	Order Separately: Hardware Kits and Additional Accessories



Part #	Description	Kit Qty	Wt. Lbs. (Wt. Kg)
Cable			
BH-12-NH	Butterfly Hanger Kit for 1/2" Corrugated Cable	Kit of 10	1.0 (0.5)
BH-58-NH	Butterfly Hanger Kit for 5/8" Corrugated Cable*	Kit of 10	1.1 (0.5)
BH-78-NH	Butterfly Hanger Kit for 7/8" Corrugated Cable*	Kit of 10	1.1 (0.5)
BH-114-NH	Butterfly Hanger Kit for 1-1/4" Corrugated Cable*	Kit of 10	1.4 (0.6)
BH-158-NH	Butterfly Hanger Kit for 1-5/8" Corrugated Cable*	Kit of 10	1.5 (0.7)
BH-214-NH	Butterfly Hanger Kit for 2-1/4" Corrugated Cable*	Kit of 10	1.5 (0.7)
Elliptical Waveguide			
BH-63-NH	Butterfly Hanger Kit for EU63 Elliptical Waveguide*	Kit of 10	1.5 (0.7)
BH-77-NH	Butterfly Hanger Kit for EU77 Elliptical Waveguide*	Kit of 10	1.3 (0.6)
BH-85-NH	Butterfly Hanger Kit for EU90 Elliptical Waveguide*	Kit of 10	1.1 (0.5)
BH-127-NH	Butterfly Hanger Kit for EU127 Elliptical Waveguide*	Kit of 10	1.1 (0.5)

Part #	Description	Kit Qty	Wt. Lbs. (Wt. Kg)
Standard Hangers			
BH-538-NH	Standard Hanger for 3/8" Corrugated Cable*	Kit of 10	0.8 (0.36)
BH-S12-NH	Standard Hanger for 1/2" Corrugated Cable*	Kit of 10	0.8 (0.36)
BH-S78-NH	Standard Hanger for 7/8" Corrugated Cable*	Kit of 10	1.8 (0.8)
BH-S114-NH	Standard Hanger for 1-1/4" Corrugated Cable*	Kit of 10	1.1 (0.5)
BH-S158-NH	Standard Hanger for 1-5/8" Corrugated Cable*	Kit of 10	1.3 (0.6)

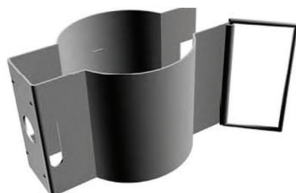
* Hanger Hardware Kit Not Included, Order Separately. See pg. 11.

* Hanger Hardware Kit Not Included, Order Separately. See pg. 11.

Cable Accessories

Clip Hangers*

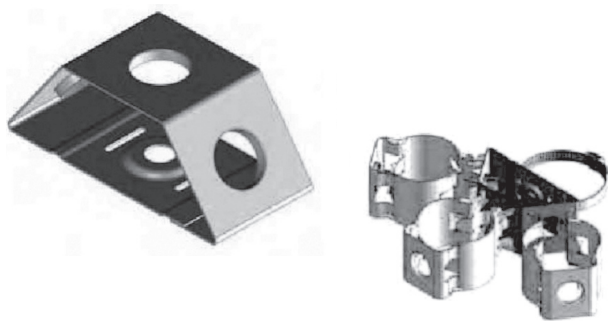
App.: Cable Support	Mounts to: 7/16" (11.1mm) Pre-Punched Hole
Size: 1/2" to 1-5/8" Cable	Material: Stainless Steel
Design: Clip-on Single Run Hanger	Incl.: Hangers and Set Bolts
Feature: Easy-to-install Solutions	Order Separately: Hanger Hardware Kits and Additional Accessories



Part #	Description	Kit Qty	Wt. Lbs. (Wt. Kg)
CH-12-NH	Clip Hanger Kit for 1/2" Corrugated Cable*	Kit of 10	0.8 (0.36)
CH-78-NH	Clip Hanger Kit for 7/8" Corrugated Cable*	Kit of 10	0.8 (0.36)
CH-114-NH	Clip Hanger Kit for 1-1/4" Corrugated Cable*	Kit of 10	1.1 (0.5)
CH-158-NH	Clip Hanger Kit for 1-5/8" Corrugated Cable*	Kit of 10	1.3 (0.6)

* Hanger Hardware Kit Not Included, Order Separately. See pg. 11.

3-Way Stand-Off Adaptor*



Part #	Description	Kit Qty	Wt. Lbs. (Wt. Kg)
SA-38X	Universal 3-Way Stand-Off Adaptor*	Kit of 10	1.1 (0.5)

* Hanger Hardware Kit Not Included, Order Separately. See pg. 11.

Universal Snap-In Hangers

App.: Cable Support	Mounts to: 3/4" (19.1mm) Holes
Size: 1/2" to 2-1/4" Cable	Material: Stainless Steel
Design: One-Piece Hanger Solutions	Incl.: Hangers
Feature: Simplifies Cable Installation	Order Separately: Additional Mounting Accessories



Part #	Description	Kit Qty	Wt. Lbs. (Wt. Kg)
SH-U12	Universal Snap-In Hanger for 1/2" Corrugated Cable	Kit of 10	0.7 (0.3)
SH-U58	Universal Snap-In Hanger for 5/8" Corrugated Cable	Kit of 10	1.0 (0.5)
SH-U78	Universal Snap-In Hanger for 7/8" Corrugated Cable	Kit of 10	1.2 (0.5)
SH-U114	Universal Snap-In Hanger for 1-1/4" Corrugated Cable	Kit of 10	1.3 (0.6)
SH-U158	Universal Snap-In Hanger for 1-5/8" Corrugated Cable	Kit of 10	1.5 (0.7)
SH-U214	Universal Snap-In Hanger for 2-1/4" Corrugated Cable	Kit of 10	1.7 (0.8)

Stackable Snap-In Hangers**



Part #	Description	Kit Qty	Wt. Lbs. (Wt. Kg)
SH-S12	Stackable Snap-In Hanger for 1/2" Corrugated Cable	Kit of 10	0.7 (0.3)
SH-S78	Stackable Snap-In Hanger for 7/8" Corrugated Cable	Kit of 10	1.0 (0.5)
SH-S114	Stackable Snap-In Hanger for 1-1/4" Corrugated Cable	Kit of 10	1.2 (0.5)
SH-S158	Stackable Snap-In Hanger for 1-5/8" Corrugated Cable	Kit of 10	1.3 (0.6)

** Patent # 6,354,543, 6,161,804

Cable Accessories

Support Accessories

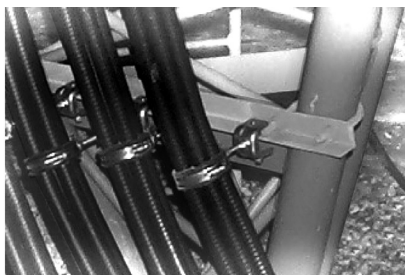
Universal Angle Adaptors

App.: Cable Support	Mounts to: Up to 7/8" (22mm) Angle Members
Size: 3/4" (19.1mm) Holes w/ 3/8" Tapped Insert	Material: Stainless Steel
Design: Adapts Hangers to Angle Members	Incl.: Adaptors, Set Bolt, Hanger Hardware Kit, Available with or without Insert
Feature: Accepts Snap-In's or 3/8" Hardware	Order Separately: Hangers



Part #	Description	Kit Qty	Wt. Lbs. (Wt. Kg)
AA-U	Universal Angle Adaptor	Kit of 10	4.9 (2.2)
AA-US	Universal Angle Adaptor, Snap-In Version (Insert Not Included)	Kit of 10	4.7 (2.1)

Part #	Description	Kit Qty	Wt. Lbs. (Wt. Kg)
AA-GU	Galvanized Universal Angle Adaptor	Kit of 10	4.9 (2.2)
AA-GUS	Galvanized Universal Angle Adaptor (Insert Not Included)	Kit of 10	4.7 (2.1)



Angle Adaptors

App.: Cable Support	Mounts to: Up to 7/8" (22mm) Angle Members
Size: 3/8" or 10mm Tapped Holes	Material: Stainless Steel
Design: Adapts Hangers to Angle Members	Incl.: Adaptors, Set Bolt, Hanger Hardware Kit
Feature: High Strength Solutions	Order Separately: Hangers



Part #	Description	Kit Qty	Wt. Lbs. (Wt. Kg)
AA-SL	Angle Adaptor w/ 3/8" Tapped Holes	Kit of 10	5.4 (2.5)
AA-SLM10	Angle Adaptor w/ 10mm Tapped Holes	Kit of 10	5.4 (2.5)

Part #	Description	Kit Qty	Wt. Lbs. (Wt. Kg)
AA-GL	Galvanized Angle Adaptor w/ 3/8" Tapped Holes	Kit of 10	5.4 (2.5)
AA-GLM10	Galvanized Angle Adaptor w/ 10mm Tapped Holes	Kit of 10	5.4 (2.5)



Part #	Description	Kit Qty	Wt. Lbs. (Wt. Kg)
AA-SSM	Mini-Angle Adaptor w/ 3/8" Tapped Holes (Stainless Steel)	Kit of 10	3.2 (1.5)
AA-GSM	Mini-Angle Adaptor w/ 3/8" Tapped Holes (Galvanized)	Kit of 10	3.2 (1.5)

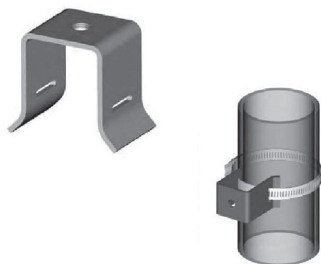
Part #	Description	Kit Qty	Wt. Lbs. (Wt. Kg)
AA-SSM8	Mini-Angle Adaptor w/ 8mm Tapped Holes (Stainless Steel)	Kit of 10	3.2 (1.5)
AA-GSM8	Mini-Angle Adaptor w/ 8mm Tapped Holes (Galvanized)	Kit of 10	3.2 (1.5)



Cable Accessories

Stand-Off Adaptors*

App.: Cable Support	Mounts to: Versions for 1" to 6" (25.4mm to 152.4mm)
Size: 3/8" or 10mm Tapped Holes	Material: Stainless Steel
Design: Adapts Hangers to Round Members	Incl.: Adaptors, Set Bolt, Hanger Hardware Kit
Feature: Provides 2" (50.8mm) Stand-Off	Order Separately: Hangers



Part #	Description	Kit Qty	Wt. Lbs. (Wt. Kg)
Stand-Off Adaptor with 3/8" Tapped Hole			
SA-38S	Stand-Off Adaptor*	Kit of 10	3.8 (1.7)
SA-38S100	Stand-Off Adaptor for 1"-2" O.D. (25.4mm-50.8mm O.D.) Members	Kit of 10	3.8 (1.7)
SA-38S200	Stand-Off Adaptor for 2"-3" O.D. (50.8mm-76.2mm O.D.) Members	Kit of 10	3.8 (1.7)
SA-38S300	Stand-Off Adaptor for 3"-4" O.D. (76.2mm-101.6mm O.D.) Members	Kit of 10	4.0 (1.8)
SA-38S400	Stand-Off Adaptor for 4"-5" O.D. (101.6mm-127.0mm O.D.) Members	Kit of 10	4.1 (1.9)
SA-38S500	Stand-Off Adaptor for 5"-6" O.D. (127.0mm-152.4mm O.D.) Members	Kit of 10	4.4 (2.0)
Stand-Off Adaptor with 10mm Tapped Hole			
SA-SM10	Stand-Off Adaptor*	Kit of 10	3.3 (1.5)
SA-S25M10	Stand-Off Adaptor for 25.0mm-50.0mm O.D. Member	Kit of 10	3.6 (1.6)
SA-S50M10	Stand-Off Adaptor for 50.0mm-75.0mm O.D. Member	Kit of 10	3.7 (1.6)
SA-S75M10	Stand-Off Adaptor for 75.0mm-100.0mm O.D. Member	Kit of 10	4.1 (1.9)
SA-S100M10	Stand-Off Adaptor for 100.0mm-125.0mm O.D. Member	Kit of 10	4.2 (1.9)
SA-S125M10	Stand-Off Adaptor for 125.0mm-150.0mm O.D. Member	Kit of 10	4.2 (1.9)

* Round Member Adaptors or Banding Strap Must Be Purchased Separately.

Snap-In Stand-Off Adaptors*

App.: Cable Support	Mounts to: Versions for 1" to 6" (25.4mm to 152.4mm)
Size: 3/4" (19.1mm) Hole	Material: Stainless Steel
Design: Adapts Hangers to Round Members	Incl.: Stand-Offs, Available with or without Hose Clamps
Feature: Accepts Snap-In's	Order Separately: Snap-Ins



Part #	Description	Kit Qty	Wt. Lbs. (Wt. Kg)
SA-SS	Snap-In Stand-Off Adaptor	Kit of 10	2.9 (3.1)
SA-SS100	Snap-In Stand-Off Adaptor for 1" - 2" (25.4mm-50.8mm) Members	Kit of 10	3.8 (1.7)
SA-SS200	Snap-In Stand-Off Adaptor for 2" - 3" (50.8mm-76.2mm) Members	Kit of 10	3.9 (1.8)
SA-SS300	Snap-In Stand-Off Adaptor for 3" - 4" (76.2mm-101.6mm) Members	Kit of 10	4.0 (1.8)
SA-SS400	Snap-In Stand-Off Adaptor for 4" - 5" (101.6mm-127.0mm) Members	Kit of 10	4.1 (1.9)
SA-SS500	Snap-In Stand-Off Adaptor for 5" - 6" (127.0mm-152.4mm) Members	Kit of 10	4.1 (1.9)

* Round Member Adaptors or Banding Strap Must Be Purchased Separately.

Round Member Adaptors

App.: Cable Support	Mounts to: Versions for 1" to 16" (25.4mm to 406.4mm)
Size: 1/2" (12.7mm) Wide	Material: Stainless Steel
Design: Slotted Hose Clamps	Incl.: Hose Clamps
Feature: Adapts Hangers to Round Members	Order Separately: Hangers



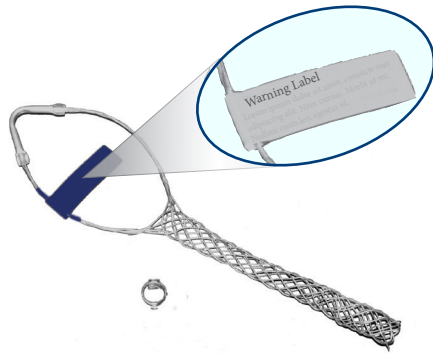
Part #	Description	Kit Qty	Wt. Lbs. (Wt. Kg)
RM-A100	Round Member Adaptor, 1" - 2" (25.4mm-50.8mm)	Kit of 10	0.8 (0.36)
RM-A200	Round Member Adaptor, 2" - 3" (50.8mm-76.2mm)	Kit of 10	1.0 (0.5)
RM-A300	Round Member Adaptor, 3" - 4" (76.2mm-101.6mm)	Kit of 10	1.2 (0.5)
RM-A400	Round Member Adaptor, 4" - 5" (101.6mm-127.0mm)	Kit of 10	1.3 (0.6)
RM-A500	Round Member Adaptor, 5" - 6" (127.0mm-152.4mm) Members	Kit of 10	1.3 (0.6)
RM-A600	Round Member Adaptor, 6" - 8" (152.4mm-203.2mm) Members	Kit of 10	1.3 (0.6)
RM-A800	Round Member Adaptor, 8" - 10" (203.2mm-254.0mm) Members	Kit of 10	1.3 (0.6)

Weather Proofing

Hoisting Grips

Pre-Laced Hoisting Grips

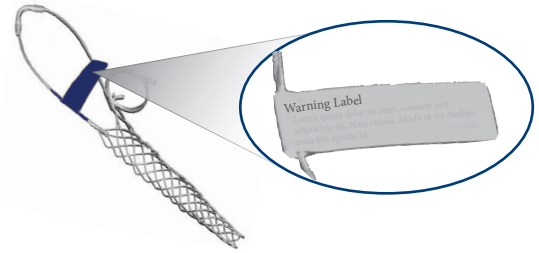
App.: Cable Support	Mounts to: Shackle or Beam Clamp
Size: 3/8" to 2-1/4" Cable	Material: Stainless Steel
Design: Mesh Grip with Single Eye Support	Incl.: Grip, Self-Locking Clip, Tape
Feature: Pre-Laced to Simplify Installation	Order Separately: —



Part #	Description	Kit Qty	Wt. Lbs. (Wt. Kg)
HG-14L	Pre-Laced Hoisting Grip for 7-9mm Cable	Each	0.2 (0.1)
HG-38L	Pre-Laced Hoisting Grip for 3/8" Corrugated Cable	Each	0.3 (0.1)
HG-12L	Pre-Laced Hoisting Grip for 1/2" Corrugated Cable	Each	0.4 (0.2)
HG-58L	Pre-Laced Hoisting Grip for 5/8" Corrugated Cable	Each	0.4 (0.2)
HG-78L	Pre-Laced Hoisting Grip for 7/8" Corrugated Cable	Each	0.5 (0.2)
HG-114L	Pre-Laced Hoisting Grip for 1-1/4" Corrugated Cable	Each	0.5 (0.2)
HG-158L	Pre-Laced Hoisting Grip for 1-5/8" Corrugated Cable	Each	1.3 (0.6)
HG-214L	Pre-Laced Hoisting Grip for 2-1/4" Cable	Each	1.3 (0.6)

Lace-up Hoisting Grips

App.: Cable Support	Mounts to: Shackle or Beam Clamp
Size: Versions for Cable and Elliptical Waveguide	Material: Stainless Steel
Design: Mesh Grip with Single Eye Support	Incl.: Grip, Self-Locking Clip, Tape
Feature: Lace-up Installation at Any Point on Cable	Order Separately: —



Part #	Description	Kit Qty	Wt. Lbs. (Wt. Kg)
Cable			
HG-14	Lace-Up Hoisting Grip for 7-9mm Cable	Each	0.2 (0.1)
HG-38	Lace-up Hoisting Grip for 3/8" Corrugated Cable	Each	0.2 (0.1)
HG-12	Lace-up Hoisting Grip for 1/2" Corrugated Cable	Each	0.3 (0.1)
HG-58	Lace-up Hoisting Grip for 5/8" Corrugated Cable	Each	0.4 (0.2)
HG78	Lace-up Hoisting Grip for 7/8" Corrugated Cable	Each	0.6 (0.3)
HG-114	Lace-up Hoisting Grip for 1-1/4" Corrugated Cable	Each	0.6 (0.3)
HG-158	Lace-up Hoisting Grip for 1-5/8" Corrugated Cable	Each	1.3 (0.6)
HG-214	Lace-Up Hoisting Grip for 2-1/4" Corrugated Cable	Each	1.3 (0.6)
Elliptical Waveguide			
HG-64	Lace-up Hoisting Grip for EU63 Elliptical Waveguide	Each	0.6 (0.3)
HG-77	Lace-up Hoisting Grip for EU77 Elliptical Waveguide	Each	0.6 (0.3)
HG-85	Lace-up Hoisting Grip for EU90 Elliptical Waveguide	Each	0.5 (0.3)
HG-127	Lace-up Hoisting Grip for EU127 Elliptical Waveguide	Each	0.4 (0.2)



Weather Proofing

Weather Proofing

Universal Weather Proofing Kits

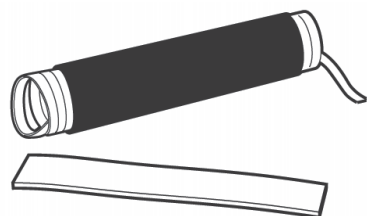
App.: Cable Protection	Mounts to: Cables and Connectors
Size: N/A	Material: Butyl and Vinyl
Design: Tape Kit for Multi-layer Wrap	Incl.: Five Rolls Butyl Mastic, One Roll 2" x 20' (50.8mm x 6.1m) and Two Rolls of 3/4" x 44' (19.1mm x 13.4m) Tape
Feature: Multi-Connection Protection	



Part #	Description	Kit Qty	Wt. Lbs. (Wt. Kg)
WK-U	Universal Weather Proofing Kit	Each	3.4 (1.5)

Cold Shrink Weather Proofing Kits

App.: Weather Proofing	Mounts to: Cable Connections
Size: —	Material: EPDM Tube with Premium Closed Cell Foam Tape
Design: Collapsible Sealing Tube	Incl.: Tube and Foam Tape
Feature: Universal Spacer Design	Order Separately: —



Part #	Description	Kit Qty	Wt. Lbs. (Wt. Kg)
CS-UI212	Universal Cold Shrink Weather Proofing Kit for 1/2" - 1/2" Cable	Each	0.43 (0.19)
CS-UI258	Universal Cold Shrink Weather Proofing Kit for 1/2" - 5/8" Cable	Each	0.41 (0.2)
CS-UI278	Universal Cold Shrink Weather Proofing Kit for 1/2" - 7/8" Cable	Each	0.48 (0.22)
CS-UI2114	Universal Cold Shrink Weather Proofing Kit for 1/2" - 1-1/4" Cable	Each	0.79 (0.4)
CS-UI2158	Universal Cold Shrink Weather Proofing Kit for 1/2" - 1-5/8" Cable	Each	0.79 (0.4)
CS-UI2214	Universal Cold Shrink Weather Proofing Kit for 1/2" - 2-1/4" Cable	Each	0.96 (0.4)

Self-Amalgamating Tape



Part #	Description	Kit Qty	Wt. Lbs. (Wt. Kg)
SAT1515	Self-Amalgamating Tape	Each	0.4 (0.2)
WSSACK	Self-Amalgamating Tape Kit	Kit of 2	0.9 (0.4)

Colored Marking Tape



Part #	Description	Kit Qty	Wt. Lbs. (Wt. Kg)
CM-TB	Tape, 3M 1700C Electrical, Blue, 3/4" x 66	Each	0.30 (0.2)
CM-TR	Tape, 3M 1700C Electrical, Red, 3/4" x 66	Each	0.30 (0.2)
CM-TG	Tape, 3M 1700C Electrical, Green, 3/4" x 66	Each	0.30 (0.2)
CM-TY	Tape, 3M 1700C Electrical, Yellow, 3/4" x 66	Each	0.30 (0.2)
CM-TO	Tape, 3M 1700C Electrical, Orange, 3/4" x 66	Each	0.30 (0.2)
CM-TGR	Tape, 3M 1700C Electrical, Grey, 3/4" x 66	Each	0.30 (0.2)
CM-TBR	Tape, 3M 1700C Electrical, Brown, 3/4" x 66	Each	0.30 (0.2)
CM-TV	Tape, 3M 1700C Electrical, Violet, 3/4" x 66	Each	0.30 (0.2)
CM-TW	Tape, 3M 1700C Electrical, White, 3/4" x 66	Each	0.30 (0.2)

Weather Proofing

Weather Proofing

EZ Seal Weather Enclosures™

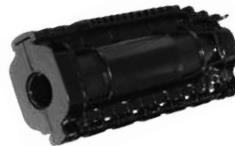
Part #	Cable Size	Kit Qty	Wt. Lbs. (Wt. Kg)
WEI212A	1/2" Antenna Small Weather Enclosure	Each	0.36 (0.16)
WEI212L	1/2" – 1/2" Large Weather Enclosure	Each	0.35 (0.16)
WEI278	1/2" – 7/8" Weather Enclosure	Each	0.65 (0.29)
WEI2114	1/2" – 1-1/4" Weather Enclosure	Each	0.95 (0.43)
WEI2158	1/2" – 1-5/8" Weather Enclosure	Each	1.10 (0.50)



WEI212A



WEI212L



WEI278



WEI2114



WEI2158

Weather Enclosures

App.: Weather Proofing	Mounts to: Cable Connections
Size: —	Material: Gel-Closure
Design: Secure Connections	Incl.: Complete Kit
Feature: Ease of Installation	Order Separately: —



Part #	Cable Size	Kit Qty	Wt. Lbs. (Wt. Kg)
ECUSEAL12XANT	1/2" Antenna Small Weather Enclosure	Each	0.36 (0.16)
ECUSEAL12ANT	1/2" Antenna Large Weather Enclosure	Each	0.39 (0.17)
ECUSEAL1278	1/2" – 7/8" Weather Enclosure	Each	0.65 (0.29)
ECUSEAL12114	1/2" – 1-1/4" Weather Enclosure	Each	0.95 (0.43)
ECUSEAL12158	1/2" – 1-5/8" Weather Enclosure	Each	1.10 (0.5)

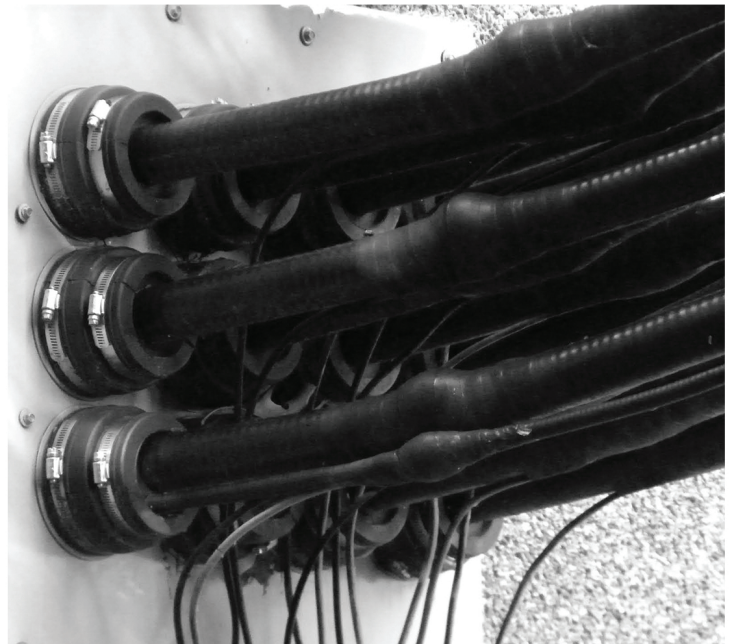
Part #	Cable Size	Kit Qty	Wt. Lbs. (Wt. Kg)
WE3MSLC	1/2" – 7/8" One-Step Closure	Each	0.30 (0.14)



EUPEN CABLE USA, Inc.

www.eupen.us

**Entry Ports
Boot Assemblies
Standard Cushions & Plugs
Cushion Hanger Assemblies**



INNOVATION & TRADITION

100 Years of Cable Manufacturing

Entry Port Solutions

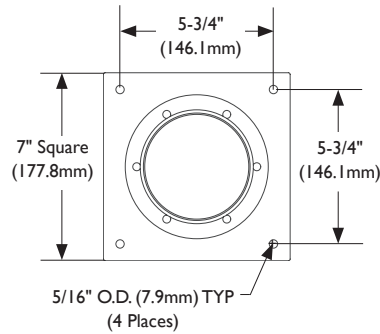
Entry Ports

4" Feed-Thru Entry Panels*

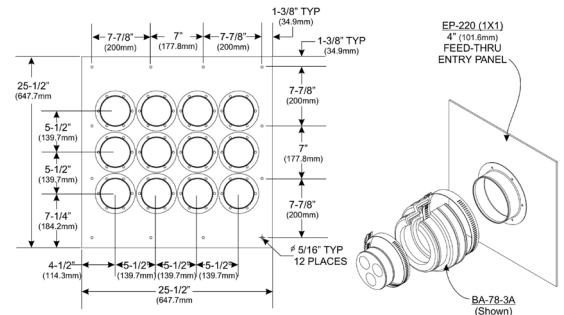
App.: Entry Port Solutions	Mounts to: Walls
Size: 20 Configurations	Material: Aluminum
Design: Entry Plates with Round Ports	Incl.: Port, Caps, Mounting Hardware
Feature: Easy to Install Solutions	Order Separately: 4" (101.6mm) Boot Assemblies



EP-1449



EP-220



EP-220 (1X1)
4" (101.6mm)
FEED-THRU
ENTRY PANEL
BA-78-3A
(Shown)

4" (101.6mm) Ports

Feed-Thru Entry Panel Size Chart

Part #	Description	Kit Qty	Wt. Lbs. (Wt. Kg)	Wall Opening Size, in. (Wall Opening Size, mm)		Panel Overall Size, in. (Overall Size, mm)	
				Width	Height	Width	Height
EP-220	Entry Panel, 1 Port, 1 x 1, Standard	Each	1.0 (0.5)	4" (101.6mm)	4" (101.6mm)	7" (177.8mm)	7" (177.8mm)
EP-574	Entry Panel, 1 Port, 1 x 1, Compact	Each	0.6 (0.3)	4" (101.6mm)	4" (101.6mm)	5-1/2" (139.7mm)	5-1/2" (139.7mm)
EP-1448	Entry Panel, 2 Port, 1 x 2	Each	2.3 (1.0)	10" (254.0mm)	4" (101.6mm)	7" (177.8mm)	7" (177.8mm)
EP-1635	Entry Panel, 3 Port, 1 x 3	Each	2.9 (1.3)	15" (381.0mm)	4" (101.6mm)	20" (508.0mm)	9-1/2" (241.3mm)
EP-575	Entry Panel, 4 Port, 1 x 4	Each	3.5 (1.6)	20-1/2" (520.7mm)	4" (101.6mm)	25-1/2" (647.7mm)	9-1/2" (241.3mm)
EP-1199	Entry Panel, 4 Port, 2 x 2, Standard	Each	4.2 (1.9)	9-1/2" (241.3mm)	11" (279.4mm)	17-1/2" (444.5mm)	17-1/2" (444.5mm)
EP-1650	Entry Panel, 4 Port, 2 x 2, Compact	Each	4.0 (1.8)	9-1/2" (241.3mm)	9-1/2" (241.3mm)	11" (279.4mm)	11" (279.4mm)
EP-1449	Entry Panel, 6 Port, 2 x 3	Each	6.1 (2.8)	15" (381.0mm)	9-1/2" (241.3mm)	23" (584.2mm)	17-1/2" (444.5mm)
EP-1477	Entry Panel, 6 Port, 1 x 6	Each	6.0 (2.7)	31-1/2" (800.1mm)	4" (101.6mm)	36-1/2" (927.1mm)	9-1/2" (241.3mm)
EP-576	Entry Panel, 8 Port, 2 x 4, Standard	Each	6.1 (2.8)	20-1/2" (520.7mm)	9-1/2" (241.3mm)	25-1/2" (647.7mm)	17-1/2" (444.5mm)
EP-1338	Entry Panel, 8 Port, 2 x 4, Large	Each	6.0 (2.7)	20-1/2" (520.7mm)	9-1/2" (241.3mm)	28-1/2" (723.9mm)	17-1/2" (444.5mm)
EP-1033	Entry Panel, 9 Port, 3 x 3	Each	7.1 (3.2)	15" (381.0mm)	15" (381.0mm)	23" (584.2mm)	23" (584.2mm)
EP-1297	Entry Panel, 10 Port, 2 x 5	Each	7.4 (3.4)	26" (660.4mm)	9-1/2" (241.3mm)	31" (787.4mm)	17-1/2" (444.5mm)
EP-1118	Entry Panel, 12 Port, 3 x 4, Standard	Each	8.5 (3.9)	20-1/2" (520.7mm)	15" (381.0mm)	25-1/2" (647.7mm)	25-1/2" (647.7mm)
EP-1334	Entry Panel, 12 Port, 3 x 4, Large	Each	7.0 (3.2)	20-1/2" (520.7mm)	15" (381.0mm)	28-1/2" (723.9mm)	25-1/2" (647.7mm)
EP-1336	Entry Panel, 12 Port, 2 x 6	Each	9.2 (4.2)	31-1/2" (800.1mm)	9-1/2" (241.3mm)	39-1/2" (1003.3mm)	17-1/2" (444.5mm)
EP-1447	Entry Panel, 16 Port, 4 x 4	Each	9.1 (4.2)	20-1/2" (520.7mm)	20-1/2" (520.7mm)	25-1/2" (647.7mm)	25-1/2" (647.7mm)
EP-1333	Entry Panel, 18 Port, 3 x 6	Each	13.0 (5.9)	31-1/2" (800.1mm)	15" (381.0mm)	39-1/2" (1003.3mm)	25-1/2" (647.7mm)
EP-1861	Entry Panel, 20 Port, 4 x 5	Each	11.0 (5.0)	26" (660.4mm)	20-1/2" (520.7mm)	31" (787.4mm)	28-1/2" (723.9mm)
EP-1340	Entry Panel, 24 Port, 4 x 6	Each	15.8 (7.2)	31-1/2" (800.1mm)	20-1/2" (520.7mm)	39-1/2" (1003.3mm)	31" (787.4mm)

* Custom Colors and Configurations Available Upon Request. Contact Your Sales Administrator.



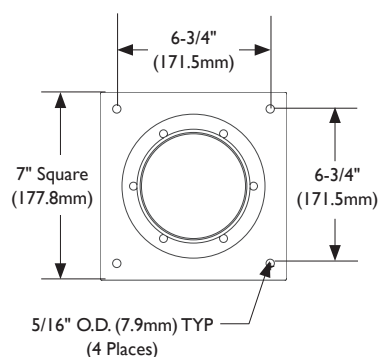
Entry Port Solutions

5" Feed-Thru Entry Panels*

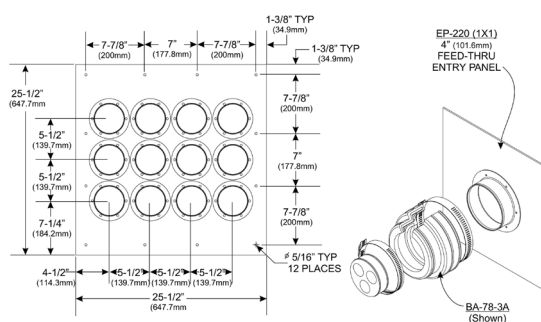
App.: Entry Port Solutions	Mounts to: Walls
Size: 7 Configurations	Material: Aluminum
Design: Entry Plates with Round Ports	Incl.: Port, Caps, Mounting Hardware
Feature: Easy to Install Solutions	Order Separately: 5" (127.0mm) Boot Assemblies



EP-553



EP-549



Entry Port Solutions

5" (127.0mm) Ports

Part #	Description	Kit Qty	Wt. Lbs. (Wt. Kg)	Feed-Thru Entry Panel Size Chart			
				Wall Opening Size, in. (Wall Opening Size, mm)		Panel Overall Size, in. (Overall Size, mm)	
				Width	Height	Width	Height
EP-549	Entry Panel, 1 port, 1 x 1	Each	1.0 (0.5)	5" (127.0mm)	5" (127.0mm)	9-1/2" (241.3mm)	9-1/2" (241.3mm)
EP-550	Entry Panel, 2 port, 1 x 2	Each	3.5 (1.6)	12" (304.8mm)	5" (127.0mm)	17-1/2" (444.5mm)	9-1/2" (241.3mm)
EP-551	Entry Panel, 3 port, 1 x 3	Each	4.8 (2.2)	19" (482.6mm)	5" (127.0mm)	25-1/2" (647.7mm)	9-1/2" (241.3mm)
EP-552	Entry Panel, 4 port, 2 x 2	Each	4.8 (2.2)	12" (304.8mm)	12" (304.8mm)	17-1/2" (444.5mm)	17-1/2" (444.5mm)
EP-553	Entry Panel, 6 port, 2 x 3	Each	6.0 (2.7)	19" (482.6mm)	12" (304.8mm)	25-1/2" (647.7mm)	17-1/2" (444.5mm)
EP-1191	Entry Panel, 8 port, 2 x 4	Each	7.0 (3.2)	26" (660.4mm)	12" (304.8mm)	33-1/2" (850.9mm)	17-1/2" (444.5mm)
EP-1113	Entry Panel, 9 port, 3 x 3	Each	7.0 (3.2)	19" (482.6mm)	19" (482.6mm)	25-1/2" (647.7mm)	25-1/2" (647.7mm)

* Custom Colors and Configurations Available Upon Request. Contact Your Sales Administrator.

Entry Port Solutions

Boot Assemblies with Cushion Inserts

4" Boot Assembly Kits*,**

App.: Entry Port Solutions	Mounts to: 4" (101.6mm) Entry Panels
Size: Versions for Cable and Elliptical Waveguide	Material: EPDM Rubber
Design: Compression Boot Kit for Aluminum Entry Panels	Incl.: Boot, Cushion, (2) Hose Clamps
Feature: One-Piece Design Simplifies Installation	Order Separately: 4" (101.6mm) Entry Panel



BA-78-3A

Part #	Description	Kit Qty	Wt. Lbs. (Wt. Kg)
BA-12-1A	Boot Assembly Kit, 4" (101.6mm) w / 1 Hole for 5/8" Corrugated Cable	Each	1.6 (0.7)
BA-12-2A	Boot Assembly Kit, 4" (101.6mm) w / 2 Holes for 1/2" Corrugated Cable	Each	1.6 (0.7)
BA-12-3A	Boot Assembly Kit, 4" (101.6mm) w / 3 Holes for 5/8" Corrugated Cable	Each	1.6 (0.7)
BA-12-4A	Boot Assembly Kit, 4" (101.6mm) w / 4 Holes for 1/2" Corrugated Cable	Each	1.6 (0.7)
BA-12-5A	Boot Assembly Kit, 4" (101.6mm) w / 5 Holes for 1/2" Corrugated Cable	Each	1.6 (0.7)
BA-12F-1A	Boot Assembly Kit, 4" (101.6mm) w / 1 Hole for 1/2" Flex Cable	Each	1.6 (0.7)
BA-12F-2A	Boot Assembly Kit, 4" (101.6mm) w / 2 Holes for 1/2" Flex Cable	Each	1.6 (0.7)
BA-12F-3A	Boot Assembly Kit, 4" (101.6mm) w / 3 Holes for 1/2" Flex Cable	Each	1.6 (0.7)
BA-12F-4A	Boot Assembly Kit, 4" (101.6mm) w / 4 Holes for 1/2" Flex Cable	Each	1.6 (0.7)
BA-58-1A	Boot Assembly Kit, 4" (101.6mm) w / 1 Hole for 5/8" Corrugated and LMR-900 Cable	Each	1.6 (0.7)
BA-58-2A	Boot Assembly Kit, 4" (101.6mm) w / 2 Holes for 5/8" Corrugated Cable	Each	1.6 (0.7)
BA-58-3A	Boot Assembly Kit, 4" (101.6mm) w / 3 Holes for 5/8" Corrugated and LMR-900 Cable	Each	1.6 (0.7)
BA-78-1A	Boot Assembly Kit, 4" (101.6mm) w / 1 Hole for 7/8" Corrugated Cable	Each	1.6 (0.7)
BA-78-2A	Boot Assembly Kit, 4" (101.6mm) w / 2 Holes for 7/8" Corrugated Cable	Each	1.6 (0.7)
BA-78-3A	Boot Assembly Kit, 4" (101.6mm) w / 3 Holes for 7/8" Corrugated Cable	Each	1.6 (0.7)
BA-78-4A	Boot Assembly Kit, 4" (101.6mm) w / 4 Holes for 7/8" Corrugated Cable	Each	1.6 (0.7)

Part #	Description	Kit Qty	Wt. Lbs. (Wt. Kg)
BA-114-1A	Boot Assembly Kit, 4" (101.6mm) w / 1 Hole for 1-1/4" Corrugated Cable	Each	1.6 (0.7)
BA-158-1A	Boot Assembly Kit, 4" (101.6mm) w / 1 Hole for 1-5/8" Corrugated Cable	Each	1.6 (0.7)
BA-214-1A	Boot Assembly Kit, 4" (101.6mm) w / 1 Hole for 2-1/4" Corrugated Cable	Each	1.6 (0.7)
Elliptical Waveguide			
BA-63-1A	Boot Assembly Kit, 4" (101.6mm) w / 1 Hole for EU63 Elliptical Waveguide	Each	1.6 (0.7)
BA-77-1A	Boot Assembly Kit, 4" (101.6mm) w / 1 Hole for EU77 Elliptical Waveguide	Each	1.6 (0.7)
BA-90-1A	Boot Assembly Kit, 4" (101.6mm) w / 1 Hole for EU90 Elliptical Waveguide	Each	1.6 (0.7)
BA-127-1A	Boot Assembly Kit, 4" (101.6mm) w / 1 Hole for EU127 Elliptical Waveguide	Each	1.6 (0.7)

* Boot Assemblies May Be Configured to Fit a Wide Array of Cable Sizes.

** Additional Boot Assemblies Available Upon Request

Entry Port Solutions

5" Boot Assembly Kits^{*,**}

App.: Entry Port Solutions	Mounts to: 5" (127.0mm) Entry Panels
Size: Versions for Cable and Elliptical Waveguide	Material: EPDM Rubber
Design: Compression Boot Kit for Aluminum Entry Panels	Incl.: Boot, Cushion, (2) Hose Clamps
Feature: One-Piece Design Simplifies Installation	Order Separately: 5" (127.0mm) Entry Panel



BA-78-3B

Part #	Description	Kit Qty	Wt. Lbs. (Wt. Kg)
BA-12-1B	Boot Assembly Kit, 5" (127.0mm) w / 1 Hole for 1/2" Corrugated Cable	Each	1.6 (0.7)
BA-12-2B	Boot Assembly Kit, 5" (127.0mm) w / 2 Holes for 1/2" Corrugated Cable	Each	1.6 (0.7)
BA-12-3B	Boot Assembly Kit, 5" (127.0mm) w / 3 Holes for 1/2" Corrugated Cable	Each	1.6 (0.7)
BA-12-4B	Boot Assembly Kit, 5" (127.0mm) w / 4 Holes for 1/2" Corrugated Cable	Each	1.6 (0.7)
BA-12-5B	Boot Assembly Kit, 5" (127.0mm) w / 5 Holes for 1/2" Corrugated Cable	Each	1.6 (0.7)
BA-12F-1B	Boot Assembly Kit, 5" (127.0mm) w / 1 Hole for 1/2" Flex Cable	Each	1.6 (0.7)
BA-12F-2B	Boot Assembly Kit, 5" (127.0mm) w / 2 Holes for 1/2" Flex Cable	Each	1.6 (0.7)
BA-12F-3B	Boot Assembly Kit, 5" (127.0mm) w / 3 Holes for 1/2" Flex Cable	Each	1.6 (0.7)
BA-12F-4B	Boot Assembly Kit, 5" (127.0mm) w / 4 Holes for 1/2" Flex Cable	Each	1.6 (0.7)
BA-58-1B	Boot Assembly Kit, 5" (127mm) w / 1 Hole for 5/8" Corrugated Cable	Each	1.6 (0.7)
BA-58-2B	Boot Assembly Kit, 5" (127mm) w / 2 Holes for 5/8" Corrugated Cable	Each	1.6 (0.7)
BA-58-3B	Boot Assembly Kit, 5" (127mm) w / 3 Holes for 5/8" Corrugated Cable	Each	1.6 (0.7)
BA-58-4B	Boot Assembly Kit, 5" (127mm) w / 4 Holes for 5/8" Corrugated Cable	Each	1.6 (0.7)
BA-78-1B	Boot Assembly Kit, 5" (127.0mm) w / 1 Hole for 7/8" Corrugated Cable	Each	1.6 (0.7)
BA-78-2B	Boot Assembly Kit, 5" (127mm) w / 2 Holes for 7/8" Corrugated Cable	Each	1.6 (0.7)
BA-78-3B	Boot Assembly Kit, 5" (127mm) w / 3 Holes for 7/8" Corrugated Cable	Each	1.6 (0.7)

Part #	Description	Kit Qty	Wt. Lbs. (Wt. Kg)
BA-78-4B	Boot Assembly Kit, 5" (127.0mm) w / 4 Holes for 7/8" Corrugated Cable	Each	1.6 (0.7)
BA-114-1B	Boot Assembly Kit, 5" (127.0mm) w / 1 Hole for 1-1/4" Corrugated Cable	Each	1.6 (0.7)
BA-158-1B	Boot Assembly Kit, 5" (127mm) w / 1 Hole for 1-5/8" Corrugated Cable	Each	1.6 (0.7)
BA-214-1B	Boot Assembly Kit, 5" (127.0mm) w / 1 Hole for 2-1/4" Corrugated Cable	Each	1.6 (0.7)
Elliptical Waveguide			
BA-63-1B	Boot Assembly Kit, 5" (127mm) w / 1 Hole for EU63 Elliptical Waveguide	Each	1.6 (0.7)
BA-77-1B	Boot Assembly Kit, 5" (127mm) w / 1 Hole for EU77 Elliptical Waveguide	Each	1.6 (0.7)
BA-90-1B	Boot Assembly Kit, 5" (127.0mm) w / 1 Hole for EW90	Each	1.6 (0.7)
BA-127-1B	Boot Assembly Kit, 5" (127mm) w / 1 Hole for EU127 Elliptical Waveguide	Each	1.6 (0.7)

* Boot Assemblies May Be Configured to Fit a Wide Array of Cable Sizes.

** Additional Boot Assemblies Available Upon Request

Entry Port Solutions

Feed-Thru Boot Assemblies

App.: Entry Port Solutions	Mounts to: Entry Panels
Size: 4" (101.6mm) and 5" (127.0mm)	Material: EPDM Rubber
Design: Compression Boot for Aluminum Entry Panels	Incl.: Boot, (2) Hose Clamps
Feature: One-Piece Design Simplifies Installation	Order Separately: Cushion Inserts, Entry Panel



Part #	Description	Kit Qty	Wt. Lbs. (Wt. Kg)
BA-400	4" (101.6mm) Boot Assembly, Cushion Not Included	Each	1.3 (0.6)
BA-500	5" (127.0mm) Boot Assembly, Cushion Not Included	Each	1.3 (0.6)

Standard Cable Cushions

App.: Entry Port Solutions	Material: EPDM Rubber
Size: Versions for Cable and Elliptical Waveguide	Incl.: Cushion
Design: Compression Fit Round Cushions	Order Separately: Boot Assembly, Entry Panel
Feature: Dependable Seal	



Part #	Description	Kit Qty	Wt. Lbs. (Wt. Kg)
Standard Cable Cushions			
SC-B	Standard Port Cushion, Blank (No Holes)	Each	0.4 (0.2)
SC-38-1	Standard Port Cushion w / 1 Hole for 3/8" Corrugated Cable	Each	0.4 (0.2)

Standard Cable Cushions (cont'd)

Part #	Description	Kit Qty	Wt. Lbs. (Wt. Kg)
SC-38-3	Standard Port Cushion w/ 3 Holes for 3/8" Corrugated Cable	Each	0.4 (0.2)
SC-38-9	Standard Port Cushion w/ 9 Holes for 3/8" Corrugated Cable	Each	0.4 (0.2)
SC-12-1	Standard Port Cushion w/ 1 Hole for 1/2" Corrugated Cable	Each	0.4 (0.2)
SC-12-2	Standard Port Cushion w/ 2 Holes for 1/2" Corrugated Cable	Each	0.4 (0.2)
SC-12-3	Standard Port Cushion w/ 3 Holes for 1/2" Corrugated Cable	Each	0.4 (0.2)
SC-12-4	Standard Port Cushion w/ 4 Holes for 1/2" Corrugated Cable	Each	0.4 (0.2)
SC-12-5	Standard Port Cushion w/ 5 Holes for 1/2" Corrugated Cable	Each	0.4 (0.2)
SC-12F-1	Standard Port Cushion w/ 1 Hole for 1/2" Flex Cable	Each	0.4 (0.2)
SC-12F-2	Standard Port Cushion w/ 2 Holes for 1/2" Flex Cable	Each	0.4 (0.2)
SC-12F-3	Standard Port Cushion w/ 3 Holes for 1/2" Flex Cable	Each	0.4 (0.2)
SC-12F-4	Standard Port Cushion w/ 4 Holes for 1/2" Flex Cable	Each	0.4 (0.2)
SC-58-1	Standard Port Cushion w / 1 Hole for 5/8" Corrugated Cable	Each	0.4 (0.2)
SC-58-2	Standard Port Cushion w / 2 Holes for 5/8" Corrugated Cable	Each	0.4 (0.2)
SC-58-3	Standard Port Cushion w / 3 Holes for 5/8" Corrugated Cable	Each	0.4 (0.2)
SC-58-4	Standard Port Cushion w / 4 Holes for 5/8" Corrugated Cable	Each	0.4 (0.2)
SC-78-1	Standard Port Cushion w/ 1 Hole for 7/8" Corrugated Cable	Each	0.4 (0.2)
SC-78-2	Standard Port Cushion w/ 2 Holes for 7/8" Corrugated Cable	Each	0.4 (0.2)



Entry Port Solutions

Standard Cable Cushions (cont'd)

Part #	Description	Kit Qty	Wt. Lbs. (Wt. Kg)
SC-78-3	Standard Port Cushion w/ 3 Holes for 7/8" Corrugated Cable	Each	0.3 (0.1)
SC-78-4	Standard Port Cushion w/ 4 Holes for 7/8" Corrugated Cable	Each	0.2 (0.1)
SC-114-1	Standard Port Cushion w/ 1 Hole for 1-1/4" Corrugated Cable	Each	0.3 (0.1)
SC-158-1	Standard Port Cushion w / 1 Hole for 1-5/8" Corrugated Cable	Each	0.3 (0.1)
SC-214-1	Standard Port Cushion w/ 1 Hole for 2-1/4" Corrugated Cable	Each	0.3 (0.1)

Standard Elliptical Waveguide Cushions

SC-63-1	Standard Port Cushion w / 1 Hole for EU63 Elliptical Waveguide	Each	0.4 (0.2)
SC-63-2	Standard Port Cushion w / 2 Holes for EU63 Elliptical Waveguide	Each	0.4 (0.2)
SC-77-1	Standard Port Cushion w / 1 Hole for EU77 Elliptical Waveguide	Each	0.4 (0.2)
SC-90-1	Standard Port Cushion w / 1 Hole for EU90 Elliptical Waveguide	Each	0.4 (0.2)
SC-90-2	Standard Port Cushion w / 2 Holes for EU90 Elliptical Waveguide	Each	0.4 (0.2)
SC-127-1	Standard Port Cushion w / 1 Hole for EU127 Elliptical Waveguide	Each	0.4 (0.2)

Standard Cable Cushion Plugs

App.: Entry Port Solutions	Mounts to: Cushion Inserts
Size: 1/2" to 1-5/8" Cable	Material: EPDM Rubber
Design: Plugs for Unused Cushion Holes	Incl.: Plugs
Feature: Allows for Future Expansion	Order Separately: Cushion Inserts or Boot Assemblies

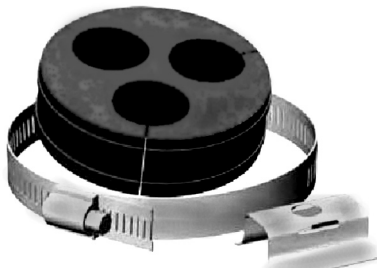


Part #	Description	Kit Qty	Wt. Lbs. (Wt. Kg)
CP-12	Cushion Plug for 1/2" Corrugated Cable	Kit of 5	0.1 (0.1)
CP-38	Cushion Plug for 3/8" Corrugated Cable	Kit of 5	0.2 (0.1)
CP-58	Cushion Plug for 5/8" Corrugated Cable	Kit of 5	0.1 (0.1)
CP-78	Cushion Plug for 7/8" Corrugated Cable	Kit of 5	0.2 (0.1)
CP-114	Cushion Plug for 1-1/4" Corrugated Cable	Kit of 5	0.4 (0.2)
CP-158	Cushion Plug for 1-5/8" Corrugated Cable	Kit of 5	0.7 (0.3)

Cushion Hanger Assemblies

Cushion Hanger Assemblies

App.: Cable Support	Mounts to: —
Size: Versions for Cable and Elliptical Waveguide	Material: EDPM Rubber
Design: Multi-Run Cushion	Incl.: Cushion, Hose Clamp and Clamp Head
Feature: Handles Cable or Waveguide	Order Separately: 3/8" or 10mm Mounting Hardware Kits



Cushion Hanger Assemblies (cont'd)

Part #	Description	Kit Qty	Wt. Lbs. (Wt. Kg)
CH-A77-1	Cushion Hanger Assembly w / 1 Hole for EU77	Kit of 5	2.3 (1.0)
CH-A90-1	Cushion Hanger Assembly w / 1 Hole for EU90	Kit of 5	2.3 (1.0)
CH-A127-1	Cushion Hanger Assembly w / 1 Hole for EU127	Kit of 5	2.3 (1.0)

Smaller Cable Cushion Assemblies*



Part #	Description	Kit Qty	Wt. Lbs. (Wt. Kg)
Cable			
CH-A12-1	Cushion Hanger Assembly w/ 1 Hole for 1/2" Corrugated Cable	Kit of 5	2.3 (1.0)
CH-A12-2	Cushion Hanger Assembly w/ 2 Holes for 1/2" Corrugated Cable	Kit of 5	2.3 (1.0)
CH-A12-3	Cushion Hanger Assembly w/ 3 Holes for 1/2" Corrugated Cable	Kit of 5	2.3 (1.0)
CH-A12-4	Cushion Hanger Assembly w/ 4 Holes for 1/2" Corrugated Cable	Kit of 5	2.3 (1.0)
CH-A12-5	Cushion Hanger Assembly w/ 5 Holes for 1/2" Corrugated Cable	Kit of 5	2.3 (1.0)
CH-A78-1	Cushion Hanger Assembly w/ 1 Hole for 7/8" Corrugated Cable	Kit of 5	2.3 (1.0)
CH-A78-2	Cushion Hanger Assembly w/ 2 Holes for 7/8" Corrugated Cable	Kit of 5	2.3 (1.0)
CH-A78-3	Cushion Hanger Assembly w/ 3 Holes for 7/8" Corrugated Cable	Kit of 5	2.3 (1.0)
CH-A78-4	Cushion Hanger Assembly w/ 4 Holes for 7/8" Corrugated Cable	Kit of 5	2.3 (1.0)
CH-A114-1	Cushion Hanger Assembly w/ 1 Hole for 1-1/4" Corrugated Cable	Kit of 5	2.3 (1.0)
CH-A158-1	Cushion Hanger Assembly w / 1 Hole for 1-5/8" Corrugated Cable	Kit of 5	2.3 (1.0)
CH-A214-1	Cushion Hanger Assembly w/ 1 Hole for 2-1/4" Corrugated Cable	Kit of 5	2.3 (1.0)
Elliptical Waveguide			
CH-A63-1	Cushion Hanger Assembly w / 1 Hole for EU63	Kit of 5	2.3 (1.0)
CH-A63-2	Cushion Hanger Assembly w/ 2 Hole for EU63	Kit of 5	2.3 (1.0)

Part #	Description	Kit Qty	Wt. Lbs. (Wt. Kg)
Fiber, Cat5, RG, Power and Cable			
CH-A14-1	Cushion Hanger Assembly w/ 1 Hole for 7-8mm Cable and Cable and 1/4" Corrugated Cable	Kit of 5	2.3 (1.0)
CH-A14-2	Cushion Hanger Assembly w/ 2 Holes for 7-8mm Cable and 1/4" Corrugated Cable	Kit of 5	2.3 (1.0)
CH-A14-3	Cushion Hanger Assembly w/ 3 Holes for 7-8mm Cable and 1/4" Corrugated Cable	Kit of 5	2.3 (1.0)
CH-A14-4	Cushion Hanger Assembly w/ 4 Holes for 7-8mm Cable and 1/4" Corrugated Cable	Kit of 5	2.3 (1.0)
CH-A14-5	Cushion Hanger Assembly w/ 5 Holes for 7-8mm Cable and 1/4" Corrugated Cable	Kit of 5	2.3 (1.0)
CH-A14-9	Cushion Hanger Assembly w/ 9 Holes for 7-8mm Cable and 1/4" Corrugated Cable	Kit of 5	2.3 (1.0)

* Additional Cushion Hanger Assemblies for Fiber, Cat5, RG, Power and Cable Cables Are Available Upon Request.



EUPEN CABLE USA, Inc.

www.eupen.us

Grounding Solutions

**Superior Quality
Protecting the path to reliability**

**Standard quarter-wave stub
protectors**

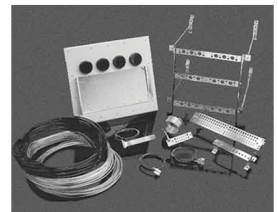


Copper and tinned buss bars



Copper and tinned grounding kits

Full line of accessories



INNOVATION & TRADITION

100 Years of Cable Manufacturing

Grounding Solutions

Grounding Kits

Standard Ground Kits

App.: Grounding	Mounts to: Cable Outer Conductor
Size: Versions for Cable and Elliptical Waveguide	Material: Copper or Aluminum Strap
Design: Bolt-on Style with 5' (1.6m) Lead / Crimp Lug	Incl.: Ground Kit, Lug Weather Proofing Kit
Feature: —	Order Separately: —



Part #	Description	Kit Qty	Wt. Lbs. (Wt. Kg)
Cable			
GK-S14	Standard Ground Kit for 1/4" Corrugated Cable	Each	1.8 (0.9)
GK-S38	Standard Ground Kit for 3/8" Corrugated or Cell Reach™ Cable	Each	1.7 (0.8)
GK-S12	Standard Ground Kit for 1/2" Corrugated Cable	Each	1.5 (0.7)
GK-S58	Standard Ground Kit for 5/8" Corrugated Cable	Each	1.6 (0.7)
GK-S78	Standard Ground Kit for 7/8" Corrugated Cable	Each	1.7 (0.8)
GK-S114	Standard Ground Kit for 1-1/4" Corrugated Cable	Each	1.7 (0.8)

Standard Ground Kits (cont'd)

Part #	Description	Kit Qty	Wt. Lbs. (Wt. Kg)
GK-S158	Standard Ground Kit for 1-5/8" Corrugated Cable	Each	1.8 (0.8)
GK-S214	Standard Ground Kit for 2-1/4" Corrugated Cable	Each	1.7 (0.8)
Elliptical Waveguide			
GK-S63	Standard Ground Kit for EU63 Elliptical Waveguide	Each	2.0 (0.9)
GK-S77	Standard Ground Kit for EU77 Elliptical Waveguide	Each	2.0 (0.9)
GK-S90	Standard Ground Kit for EU77 Elliptical Waveguide	Each	1.7 (0.8)
GK-S127	Standard Ground Kit for EU127 Elliptical Waveguide	Each	1.9 (0.9)

Tinned Standard Ground Kits

Part #	Description	Kit Qty	Wt. Lbs. (Wt. Kg)
GK-S12T	Standard Ground Kit, Tinned for 1/2" Corrugated Cable	Each	1.7 (0.8)
GK-S58T	Standard Ground Kit, Tinned for 5/8" Corrugated Cable	Each	1.9 (0.9)
GK-S78T	Standard Ground Kit, Tinned for 7/8" Corrugated Cable	Each	1.7 (0.8)
GK-S114T	Standard Ground Kit, Tinned for 1-1/4" Corrugated Cable	Each	1.7 (0.8)
GK-S158T	Standard Ground Kit, Tinned for 1-5/8" Corrugated Cable	Each	1.9 (0.9)
GK-S214T	Standard Ground Kit, Tinned for 2-1/4" Corrugated Cable	Each	1.7 (0.8)



Grounding Solutions

Clip-On Ground Kits*

App.: Grounding	Mounts to: Cable Outer Conductor
Size: 1/2" to 2-1/4" Cable	Material: Copper Strap
Design: One-Piece Style	Incl.: Ground Kit, Lug, Weather Proofing Kit
Feature: Easy-to-Install Clip Design	Order Separately: —



Part #	Description	Kit Qty	Wt. Lbs. (Wt. Kg)
GK-C12	Clip-on Ground Kit for 1/2" Corrugated Cable Includes 5' (1.5m) Lead with Unattached 3/8" (9.5mm) 2 Hole Lug.	Each	1.5 (0.7)
GK-C12-2H2	Clip-on Ground Kit for 1/2" Corrugated Cable Includes 2' (0.6m) Lead with Attached 3/8" (9.5mm) 2 Hole Lug.	Each	1.3 (0.6)
GK-C58	Clip-on Ground Kit for 5/8" Corrugated Cable Includes 5' (1.5m) Lead with Unattached 3/8" (9.5mm) 2 Hole Lug.	Each	1.7 (0.8)
GK-C58-2H2	Clip-on Ground Kit for 5/8" Corrugated Cable Includes 2' (0.6m) Lead with Attached 3/8" (9.5mm) 2 Hole Lug.	Each	1.4 (0.6)
GK-C78	Clip-on Ground Kit for 7/8" Corrugated Cable Includes 5' (1.5m) Lead with Unattached 3/8" (9.5mm) 2 Hole Lug.	Each	1.6 (0.7)
GK-C78-2H2	Clip-on Ground Kit for 7/8" Corrugated Cable Includes 2' (0.6m) Lead with Attached 3/8" (9.5mm) 2 Hole Lug.	Each	1.4 (0.6)
GK-C114	Clip-on Ground Kit for 1-1/4" Corrugated Cable Includes 5' (1.5m) Lead with Unattached 3/8" (9.5mm) 2 Hole Lug.	Each	1.5 (0.7)
GK-C114-2H2	Clip-on Ground Kit for 1-1/4" Corrugated Cable Includes 2' (0.6m) Lead with Attached 3/8" (9.5mm) 2 Hole Lug.	Each	1.4 (0.6)
GK-C158	Clip-on Ground Kit for 1-5/8" Corrugated Cable Includes 5' (1.5m) Lead with Unattached 3/8" (9.5mm) 2 Hole Lug.	Each	1.7 (0.8)
GK-C158-2H2	Clip-on Ground Kit for 1-5/8" Corrugated Cable Includes 2' (0.6m) Lead with Attached 3/8" (9.5mm) 2 Hole Lug.	Each	1.3 (0.6)
GK-C214	Clip-on Ground Kit for 2-1/4" Corrugated Cable Includes 5' (1.5m) Lead with Unattached 3/8" (9.5mm) 2 Hole Lug.	Each	1.7 (0.8)
GK-C214-2H2	Clip-on Ground Kit for 2-1/4" Corrugated Cable Includes 2' (0.6m) Lead with Attached 3/8" (9.5mm) 2 Hole Lug.	Each	1.5 (0.7)

* Additional Versions Available Upon Request. Please Contact Your Sales Administrator for Details.

Tinned Clip-On Ground Kits*

Part #	Description	Kit Qty	Wt. Lbs. (Wt. Kg)
GK-C12T	Tinned Clip-on Ground Kit for 1/2" Corrugated Cable. Includes 5' (1.5m) Lead with Unattached 3/8" (9.5mm) 2 Hole Lug.	Each	1.8 (0.8)
GK-C78T	Tinned Clip-on Ground Kit for 7/8" Corrugated Cable. Includes 5' (1.5m) Lead with Unattached 3/8" (9.5mm) 2 Hole Lug.	Each	1.9 (0.9)
GK-C158T	Tinned Clip-on Ground Kit for 1-5/8" Corrugated Cable. Includes 5' (1.5m) Lead with Unattached 3/8" (9.5mm) 2 Hole Lug.	Each	1.9 (0.9)
GK-C214T	Tinned Clip-on Ground Kit for 2-1/4" Corrugated Cable. Includes 5' (1.5m) Lead with Unattached 3/8" (9.5mm) 2 Hole Lug.	Each	2.0 (0.9)

* Additional Versions Available Upon Request. Please Contact Your Sales Administrator for Details.

QuickGrip® Ground Kits*



Part #	Description	Kit Qty	Wt. Lbs. (Wt. Kg)
North American Version			
GK-QG12	QuickGrip® Ground Kit for 1/2" Coaxial Cable 5 ft. Lead 2-Hole Universal Lug	Each	1.2 (0.54)
GK-QG78	QuickGrip® Ground Kit for 7/8" Coaxial Cable 5 ft. Lead 2-Hole Universal Lug	Each	1.35 (0.61)
GK-QG114	QuickGrip® Ground Kit for 1-1/4" Coaxial Cable 5 ft. Lead 2-Hole Universal Lug	Each	1.48 (0.67)
GK-QG158	QuickGrip® Ground Kit for 1-5/8" Coaxial Cable 5 ft. Lead 2-Hole Universal Lug	Each	1.6 (0.73)
European Version			
EK-QG12-500	QuickGrip® Earthing Kit for 1/2" Coax, 500mm Lead with I-Hole Lug	Each	0.5 (0.23)
EK-QG78-500	QuickGrip® Earthing Kit for 7/8" Coax, 500mm Lead with I-Hole Lug	Each	0.65 (0.29)
EK-QG114-500	QuickGrip® Earthing Kit for 1-1/4" Coax, 500mm Lead with I-Hole Lug	Each	0.78 (0.35)
EK-QG158-500	QuickGrip® Earthing Kit for 1-5/8" Coax, 500mm Lead with I-Hole Lug	Each	0.9 (0.41)
EK-QG12-680	QuickGrip® Earthing Kit for 1/2" Coax, 680mm Lead with I-Hole Lug	Each	0.62 (0.28)
EK-QG78-680	QuickGrip® Earthing Kit for 7/8" Coax, 680mm Lead with I-Hole Lug	Each	0.77 (0.35)
EK-QG114-680	QuickGrip® Earthing Kit for 1-1/4" Coax, 680mm Lead with I-Hole Lug	Each	0.9 (0.41)
EK-QG158-680	QuickGrip® Earthing Kit for 1-5/8" Coax, 680mm Lead with I-Hole Lug	Each	1.02 (0.46)

* Additional Versions Available Upon Request. Please Contact Your Sales Administrator for Details.

Grounding Solutions

Grounding Solutions

Universal Ground Kits*

App.: Grounding	Mounts to: Cable Outer Conductor
Size: Fits Cable and Elliptical Waveguide	Material: Copper
Design: Coil-up Installation	Incl.: Ground Kit, Lug, Weather Proofing Kit
Feature: One-Size-Fits-All Design	Order Separately: —



Part #	Description	Kit Qty	Wt. Lbs. (Wt. Kg)
Universal Versions			
GK-U2H5-U	Universal Ground Kit, 5' (1.5m) Lead w/ Unattached 1/4" (6.4mm) and 3/8" (9.5mm) 2 Hole Lugs.	Each	1.9 (0.9)

* Additional Versions Available Upon Request. Please Contact Your Sales Administrator for Details.

Tinned Universal Ground Kits*

Part #	Description	Kit Qty	Wt. Lbs. (Wt. Kg)
GK-U2H5-UT	Universal Ground Kit, Tinned Version, Includes 5' (1.5m) Lead w/ Unattached 1/4" (6.4mm) and 3/8" (9.5mm) 2 Hole Lug.	Each	2.0 (0.9)

* Additional Versions Available Upon Request. Please Contact Your Sales Administrator for Details.

Easy Install Ground Kits for Coaxial Cable Applications*

App.: Grounding	Mounts to: Cable Outer Conductor
Size: Various	Material: Copper
Design: Coil-up Installation	Incl.: Complete Grounding Solution
Feature: No Butyl or Tape Required	Order Separately: —



Part #	Description	Kit Qty	Wt. Lbs. (Wt. Kg)
GKEI-12-500	Easy Install Ground Kit for 1/2" Corrugated Coax - 500mm	Each	1.8 (0.82)
GKEI-78-500	Easy Install Ground Kit for 7/8" Corrugated Coax - 500mm	Each	1.8 (0.82)
GKEI-114-500	Easy Install Ground Kit for 1-1/4" Corrugated Coax - 500mm	Each	1.8 (0.82)
GKEI-158-500	Easy Install Ground Kit for 1-5/8" Corrugated Coax - 500mm	Each	1.8 (0.82)

* Additional Versions Available Upon Request. Please Contact Your Sales Administrator for Details.

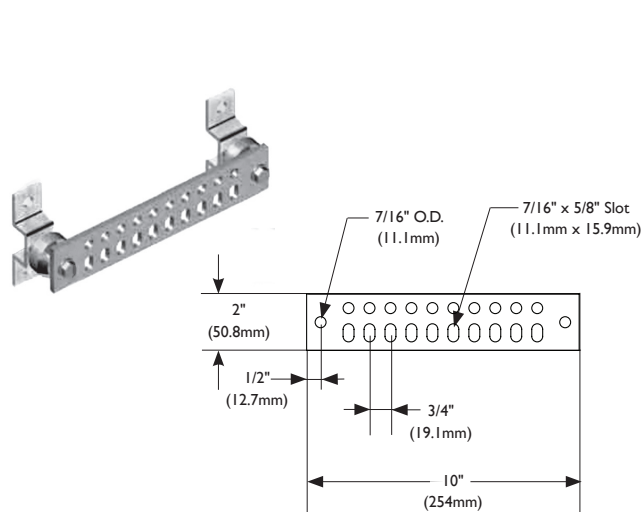


Grounding Solutions

Ground Buss Bar Kits

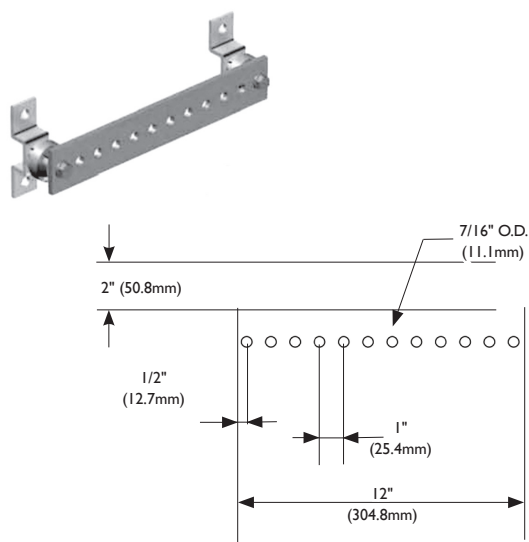
Ground Buss Bar Kits, 2" x 10"*

App.: Grounding	Mounts to: Wall or Tower
Size: 1/4" x 2" x 10" (6.3 x 50.8 x 254.0mm)	Material: Copper or Tinned Copper
Design: Universal Slotted Pattern for 1- or 2-Hole Lugs	Incl.: See Chart
Feature: 10 Pairs of 7/16" (11.1mm) Holes	Order Separately: —



Ground Buss Bar Kits, 2" x 12"*

App.: Grounding	Mounts to: Wall or Tower
Size: 1/4" x 2" x 12" (6.3 x 50.8 x 304.8mm)	Material: Copper or Tinned Copper
Design: Standard Pattern for One-Hole Lugs	Incl.: See Chart
Feature: Ten 7/16" (11.1mm) Holes	Order Separately: —



Part #	Description	Kit Qty	Wt. Lbs. (Wt. Kg)
Bare Copper			
GB-0210-U	Ground Buss Bar, 1/4" x 2" x 10" (6.4mm x 50.8mm x 254.0mm) includes Universal Hardware Kit	Each	5.1 (2.3)
GB-0210-NH	Ground Buss Bar, 1/4" x 2" x 10" (6.4mm x 50.8mm x 254.0mm). Hardware Not Included. Order separately – see pg. 35	Each	1.2 (0.6)
Tinned Copper			
GB-0210T-U	Tinned Ground Buss Bar, 1/4" x 2" x 10" (6.4mm x 50.8mm x 254.0mm) includes Universal Hardware Kit	Each	5.1 (2.3)
GB-0210T-NH	Tinned Ground Buss Bar, 1/4" x 2" x 10" (6.4mm x 50.8mm x 254.0mm). Hardware Not Included. Order separately – see pg. 35	Each	1.2 (0.6)

* Universal Buss Bar Hardware Kits Include Insulators and All Components Necessary to Mount a Buss Bar to a Wall or Tower.

Part #	Description	Kit Qty	Wt. Lbs. (Wt. Kg)
Bare Copper			
GB-0212-U	Ground Buss Bar, 1/4" x 2" x 12" (6.4mm x 50.8mm x 304.8mm) includes Universal Hardware Kit	Each	5.4 (2.4)
GB-0212-NH	Ground Buss Bar, 1/4" x 2" x 12" (6.4mm x 50.8mm x 304.8mm). Hardware Not Included. Order separately – see pg. 35	Each	1.5 (0.7)
Tinned Copper			
GB-0212T-U	Tinned Ground Buss Bar, 1/4" x 2" x 12" (6.4mm x 50.8mm x 304.8mm) includes Universal Hardware Kit	Each	5.4 (2.4)
GB-0212T-NH	Tinned Ground Buss Bar, 1/4" x 2" x 12" (6.4mm x 50.8mm x 304.8mm). Hardware Not Included. Order separately – see pg. 35	Each	1.5 (0.7)

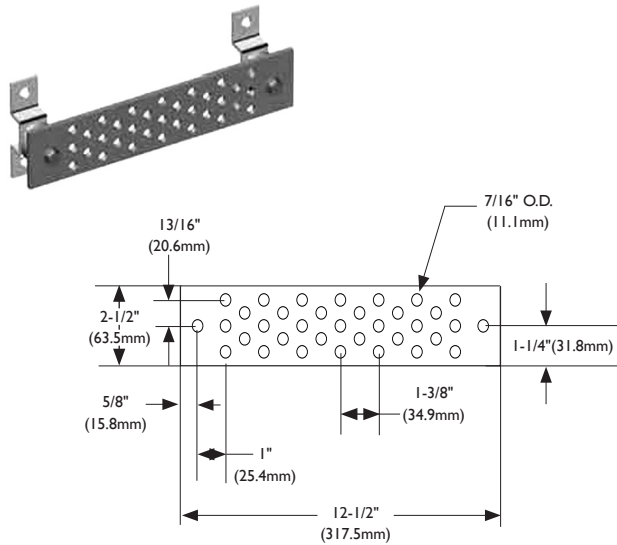
* Universal Buss Bar Hardware Kits Include Insulators and All Components Necessary to Mount a Buss Bar to a Wall or Tower.

NOTE: Custom Ground Buss Bar Kits Can Be Developed Based on Your Exact Requirements, Including Bars with Pre-Welded Tails. Consult Your Sales Administrator for Further Information.

Grounding Solutions

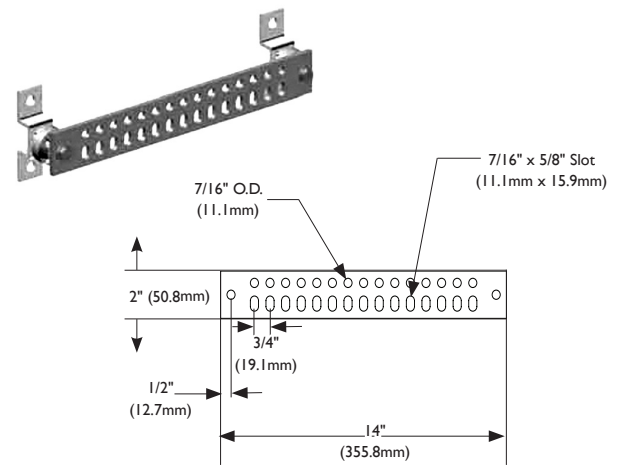
Ground Buss Bar Kits, 2-1/2" x 12-1/2"*

App.: Grounding	Mounts to: Wall or Tower
Size: 1/4" x 2-1/2" x 12-1/2" (6.3 x 63.5 x 317.5mm)	Material: Copper or Tinned Copper
Design: Staggered Pattern for 1- or 2-Hole Lugs	Incl.: See Chart
Feature: Thirty-five 7/16" (11.1mm) Holes	Order Separately: —



Ground Buss Bar Kits, 2" x 14"*

App.: Grounding	Mounts to: Wall or Tower
Size: 1/4" x 2" x 14" (6.3 x 50.8 x 355.6mm)	Material: Copper or Tinned Copper
Design: Universal Slotted Pattern for 1- or 2-Hole Lugs	Incl.: See Chart
Feature: 15 Pairs of 7/16" (11.1mm) Holes	Order Separately: —



Part #	Description	Kit Qty	Wt. Lbs. (Wt. Kg)
Bare Copper			
GB-02512-U	Ground Buss Bar, 1/4" x 2-1/2" x 12-1/2" (6.4mm x 63.5mm x 317.5mm) includes Universal Hardware Kit	Each	5.8 (2.6)
GB-02512-NH	Ground Buss Bar, 1/4" x 2-1/2" x 12-1/2" (6.4mm x 63.5mm x 317.5mm). Hardware Not Included. Order separately – see pg. 35	Each	1.9 (0.8)
Tinned Copper			
GB-02512T-U	Tinned Ground Buss Bar, 1/4" x 2-1/2" x 12-1/2" (6.4mm x 63.5mm x 317.5mm) includes Universal Hardware Kit	Each	5.8 (2.6)
GB-02512T-NH	Tinned Ground Buss Bar, 1/4" x 2-1/2" x 12-1/2" (6.4mm x 63.5mm x 317.5mm). Hardware Not Included. Order separately – see pg. 35	Each	1.9 (0.8)

* Universal Buss Bar Hardware Kits Include Insulators and All Components Necessary to Mount a Buss Bar to a Wall or Tower.

Part #	Description	Kit Qty	Wt. Lbs. (Wt. Kg)
Bare Copper			
GB-0214-U	Ground Buss Bar, 1/4" x 2" x 14" (6.4mm x 50.8mm x 355.6mm) includes Universal Hardware Kit	Each	5.6 (2.6)
GB-0214-NH	Ground Buss Bar, 1/4" x 2" x 14" (6.4mm x 50.8mm x 355.6mm). Hardware Not Included. Order separately – see pg. 35	Each	1.7 (0.8)
Tinned Copper			
GB-0214T-U	Tinned Ground Buss Bar, 1/4" x 2" x 14" (6.4mm x 50.8mm x 355.6mm) includes Universal Hardware Kit	Each	5.6 (2.6)
GB-0214T-NH	Tinned Ground Buss Bar, 1/4" x 2" x 14" (6.4mm x 50.8mm x 355.6mm). Hardware Not Included. Order separately – see pg. 35	Each	1.7 (0.8)

* Universal Buss Bar Hardware Kits Include Insulators and All Components Necessary to Mount a Buss Bar to a Wall or Tower.

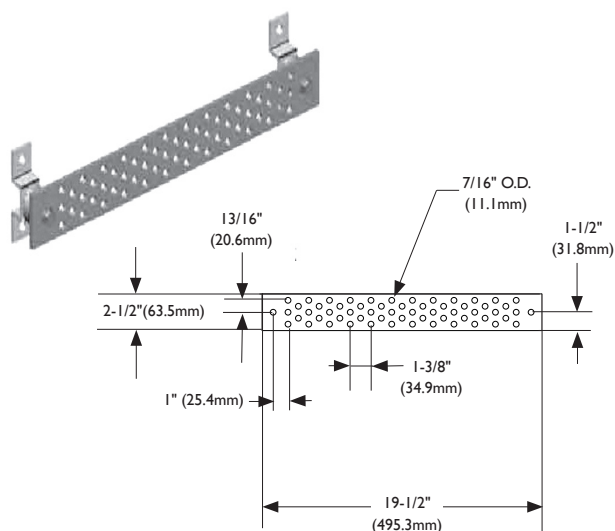
NOTE: Custom Ground Buss Bar Kits Can Be Developed Based on Your Exact Requirements, Including Bars with Pre-Welded Tails. Consult Your Sales Administrator for Further Information.



Grounding Solutions

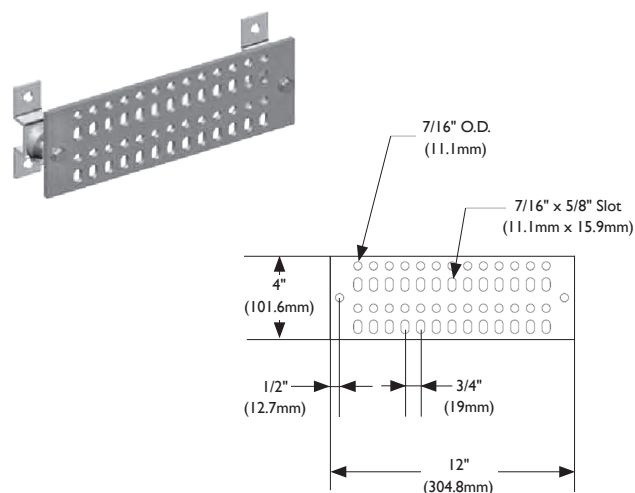
Ground Buss Bar Kits, 2-1/2" x 19-1/2"*

App.: Grounding	Mounts to: Wall or Tower
Size: 1/4" x 2-1/2" x 19- 1/2" (6.3 x 63.5 x 495.3mm)	Material: Copper or Tinned Copper
Design: Staggered Pattern for 1- or 2-Hole Lugs	Incl.: See Chart
Feature: Fifty-eight 7/16" (11.1mm) Holes	Order Separately: —



Ground Buss Bar Kits, 4" x 12"*

App.: Grounding	Mounts to: Wall or Tower
Size: 1/4" x 4" x 12" (6.3 x 101.6 x 304.8mm)	Material: Copper or Tinned Copper
Design: Universal Slotted Pattern for 1- or 2-Hole Lugs	Incl.: See Chart
Feature: 26 Pairs of 7/16" (11.1mm) Holes	Order Separately: —



Part #	Description	Kit Qty	Wt. Lbs. (Wt. Kg)
Bare Copper			
GB-02519-U	Ground Buss Bar, 1/4" x 2-1/2" x 19-1/2" (6.4mm x 63.5mm x 495.3mm) includes Universal Hardware Kit	Each	6.8 (3.1)
GB-02519-NH	Ground Buss Bar, 1/4" x 2-1/2" x 19-1/2" (6.4mm x 63.5mm x 495.3mm). Hardware Not Included. Order separately – see pg. 35	Each	2.9 (1.3)
Tinned Copper			
GB-02519T-U	Tinned Ground Buss Bar, 1/4" x 2-1/2" x 19-1/2" (6.4mm x 63.5mm x 495.3mm) includes Universal Hardware Kit	Each	6.8 (3.1)
GB-02519T-NH	Tinned Ground Buss Bar, 1/4" x 2-1/2" x 19-1/2" (6.4mm x 63.5mm x 495.3mm). Hardware Not Included. Order separately – see pg. 35	Each	2.9 (1.3)

* Universal Buss Bar Hardware Kits Include Insulators and All Components Necessary to Mount a Buss Bar to a Wall or Tower.

Part #	Description	Kit Qty	Wt. Lbs. (Wt. Kg)
Bare Copper			
GB-0412-U	Ground Buss Bar, 1/4" x 4" x 12" (6.4mm x 101.6mm x 304.8mm) includes Universal Hardware Kit	Each	6.9 (3.1)
GB-0412-NH	Ground Buss Bar, 1/4" x 4" x 12" (6.3mm x 101.6mm x 304.8mm). Hardware Not Included. Order separately – see pg. 35	Each	3.0 (1.4)
Tinned Copper			
GB-0412T-U	Tinned Ground Buss Bar, 1/4" x 4" x 12" (6.4mm x 101.6mm x 304.8mm) includes Universal Hardware Kit	Each	6.9 (3.1)
GB-0412T-NH	Tinned Ground Buss Bar, 1/4" x 4" x 12" (6.3mm x 101.6mm x 304.8mm). Hardware Not Included. Order separately – see pg. 35	Each	3.0 (1.4)

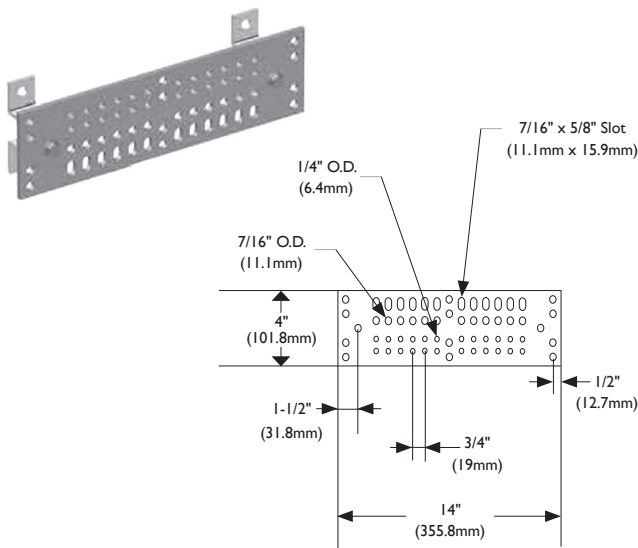
* Universal Buss Bar Hardware Kits Include Insulators and All Components Necessary to Mount a Buss Bar to a Wall or Tower.

NOTE: Custom Ground Buss Bar Kits Can Be Developed Based on Your Exact Requirements, Including Bars with Pre-Welded Tails. Consult Your Sales Administrator for Further Information.

Grounding Solutions

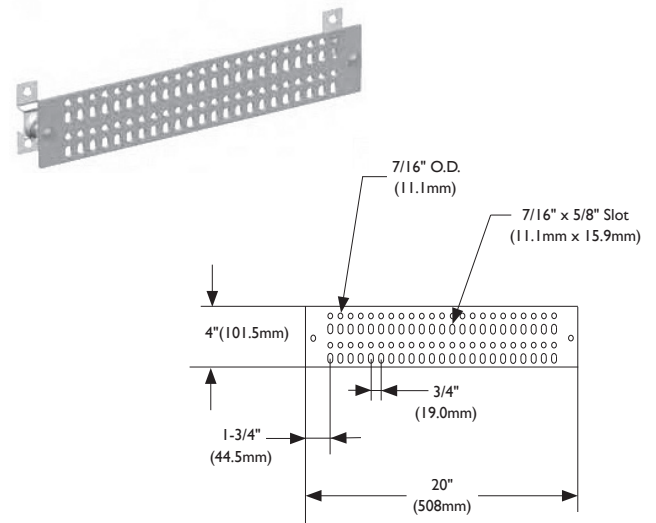
Ground Buss Bar Kits, 4" x 14"*

App.: Grounding	Mounts to: Wall or Tower
Size: 1/4" x 4" x 14" (6.3 x 101.6 x 355.6mm)	Material: Copper or Tinned Copper
Design: Universal Slotted Pattern for 1- or 2-Hole Lugs	Incl.: See Chart
Feature: 12 Pairs each of 7/16" (11.1mm) and 1/4" Holes (6mm)	Order Separately: —



Ground Buss Bar Kits, 4" x 20"*

App.: Grounding	Mounts to: Wall or Tower
Size: 1/4" x 4" x 20" (6.3 x 101.6 x 508.0mm)	Material: Copper or Tinned Copper
Design: Universal Slotted Pattern for 1- or 2-Hole Lugs	Incl.: See Chart
Feature: 45 Pairs of 7/16" (11.1mm) Holes	Order Separately: —



Part #	Description	Kit Qty	Wt. Lbs. (Wt. Kg)
Bare Copper			
GB-0414-U	Ground Buss Bar, 1/4" x 4" x 14" (6.4mm x 101.6mm x 355.6mm) includes Universal Hardware Kit	Each	7.4 (3.4)
GB-0414-NH	Ground Buss Bar, 1/4" x 4" x 14" (6.3mm x 101.6mm x 355.6mm). Hardware Not Included. Order separately – see pg. 35	Each	3.5 (1.6)
Tinned Copper			
GB-0414T-U	Tinned Ground Buss Bar, 1/4" x 4" x 14" (6.4mm x 101.6mm x 355.6mm) includes Universal Hardware Kit	Each	7.4 (3.4)
GB-0414T-NH	Tinned Ground Buss Bar, 1/4" x 4" x 14" (6.3mm x 101.6mm x 355.6mm). Hardware Not Included. Order separately – see pg. 35	Each	3.5 (1.6)

* Universal Buss Bar Hardware Kits Include Insulators and All Components Necessary to Mount a Buss Bar to a Wall or Tower.

Part #	Description	Kit Qty	Wt. Lbs. (Wt. Kg)
Bare Copper			
GB-0420-U	Ground Buss Bar, 1/4" x 4" x 20" (6.4mm x 101.6mm x 508.0mm) includes Universal Hardware Kit	Each	8.9 (4.0)
GB-0420-NH	Ground Buss Bar, 1/4" x 4" x 20" (6.3mm x 101.6mm x 508.0mm). Hardware Not Included. Order separately – see pg. 35	Each	5.0 (2.3)
Tinned Copper			
GB-0420T-U	Tinned Ground Buss Bar, 1/4" x 4" x 20" (6.4mm x 101.6mm x 508.0mm) includes Universal Hardware Kit	Each	8.9 (4.0)
GB-0420T-NH	Tinned Ground Buss Bar, 1/4" x 4" x 20" (6.3mm x 101.6mm x 508.0mm). Hardware Not Included. Order separately – see pg. 35	Each	5.0 (2.3)

* Universal Buss Bar Hardware Kits Include Insulators and All Components Necessary to Mount a Buss Bar to a Wall or Tower.

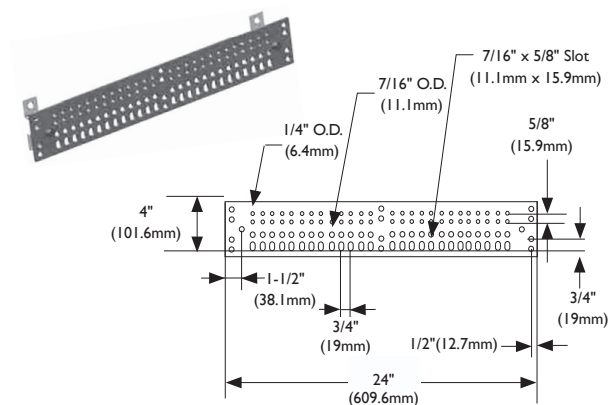
NOTE: Custom Ground Buss Bar Kits Can Be Developed Based on Your Exact Requirements, Including Bars with Pre-Welded Tails. Consult Your Sales Administrator for Further Information.



Grounding Solutions

Ground Buss Bar Kits, 4" x 24"*

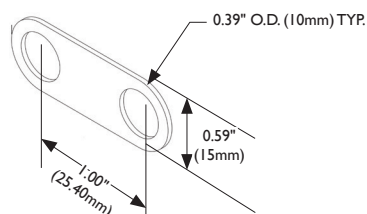
App.: Grounding	Mounts to: Wall or Tower
Size: 1/4" x 4" x 24" (6.3 x 101.6 x 609.6mm)	Material: Copper or Tinned Copper
Design: Universal Slotted Pattern for 1- or 2-Hole Lugs	Incl.: See Chart
Feature: 26 Pairs Each of 7/16" (11.1mm) and 1/4" Holes (6mm)	Order Separately: —



Part #	Description	Kit Qty	Wt. Lbs. (Wt. Kg)
Bare Copper			
GB-0424-U	Ground Buss Bar, 1/4" x 4" x 24" (6.4mm x 101.6mm x 609.6mm) includes Universal Hardware Kit	Each	9.9 (4.5)
GB-0424-NH	Ground Buss Bar, 1/4" x 4" x 24" (6.3mm x 101.6mm x 609.6mm). Hardware Not Included. Order separately – see pg. 35	Each	6.0 (2.7)
Tinned Copper			
GB-0424T-U	Tinned Ground Buss Bar, 1/4" x 4" x 24" (6.4mm x 101.6mm x 609.6mm) includes Universal Hardware Kit	Each	9.9 (4.5)
GB-0424T-NH	Tinned Ground Buss Bar, 1/4" x 4" x 24" (6.3mm x 101.6mm x 609.6mm). Hardware Not Included. Order separately – see pg. 35	Each	6.0 (2.7)

* Universal Buss Bar Hardware Kits Include Insulators and All Components Necessary to Mount a Buss Bar to a Wall or Tower.

Ground Lug Washer



Part #	Description	Kit Qty	Wt. Lbs. (Wt. Kg)
GLW-382HIS	Ground Lug Washer 2-Hole, 3/8" Stud, 1" Spacing, SS	Each	0.01 (0.005)

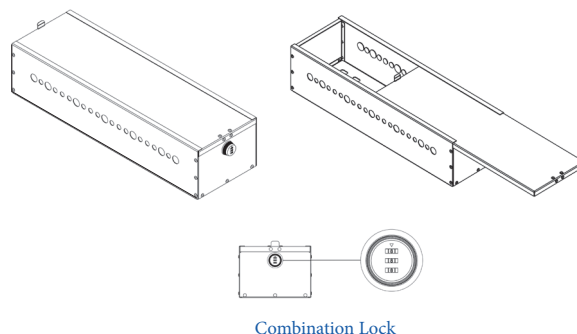
Surge Arrestors



Part #	Description	Kit Qty	Wt. Lbs. (Wt. Kg)
EULAQW-DMDF	1/4 Wave DIN Surge Arrester 800 MHz to 2500 MHz*	Each	1.45 (0.66)

*Ground wire not included

Ground Bar Lock Box



Combination Lock

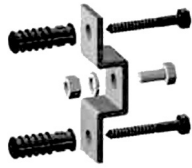
Part #	Description	Kit Qty	Wt. Lbs. (Wt. Kg)
GB-LB	Ground Bar Lock Box	Each	14.75 (6.69)

Grounding Solutions

Universal Buss Bar Hardware Kit*



Insulated Shelter



Non-Insulated Shelter



Insulated Tower



Non-Insulated Tower



Universal Buss Bar Drive Pin

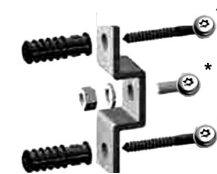
Part #	Description	Kit Qty	Wt. Lbs. (Wt. Kg)
GB-HK-DPU	Universal Buss Bar Drive Pin Anchor Hardware Kit	Each	2.18 (1.0)
GB-HK-U	Universal Buss Bar Hardware Kit	Each	3.9 (1.8)
GB-IS	Buss Bar Hardware Kit Insulated Shelter	Each	2.9 (1.32)
GB-IT	Buss Bar Hardware Kit Insulated Tower	Each	3.5 (1.6)

* Universal Buss Bar Kits Include All Components Necessary to Attach Buss Bars in Any of the Four Depicted Configurations Shown Above.

Tamper Resistant Buss Bar Hardware Kit*



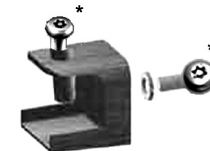
Insulated Shelter



Non-Insulated Shelter



Insulated Tower



Non-Insulated Tower

* Rendering to detail bolt head

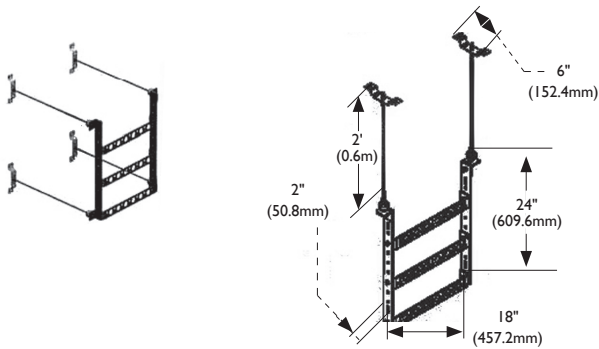
Part #	Description	Kit Qty	Wt. Lbs. (Wt. Kg)
GB-TRHK-U	Tamper Resistant Universal Buss Bar Hardware Kit	Each	4.0 (1.8)
GB-TRIS	Hardware Kit for Tamper Resistant Ground Buss Bar Kit with Insulated Shelter Hardware	Each	3.0 (1.4)
GB-TRIT	Hardware Kit for Tamper Resistant Ground Buss Bar Kit with Insulated Tower Hardware	Each	3.6 (1.6)

* Universal Buss Bar Kits Include All Components Necessary to Attach Buss Bars in Any of the Four Depicted Configurations Shown Above.

Grounding Solutions

Arrestor Trapeze Kit

App.: Grounding	Mounts to: Ceiling or Wall Mounting
Size: 3 x 6 Hole Pattern	Material: Copper
Design: Common Ground for Lightning Arrestors	Incl.: Trapeze, Threaded Rod, Ceiling Brackets
Feature: Accommodates Most Arrestor Styles	Order Separately: —



Part #	Description	Kit Qty	Wt. Lbs. (Wt. Kg)
AT-K306-U	Arrestor Trapeze Kit, 3 x 6	Each	21.3 (9.7)
AT-K606-U	Double Arrestor Trapeze Kit	Each	39.8 (14.7)



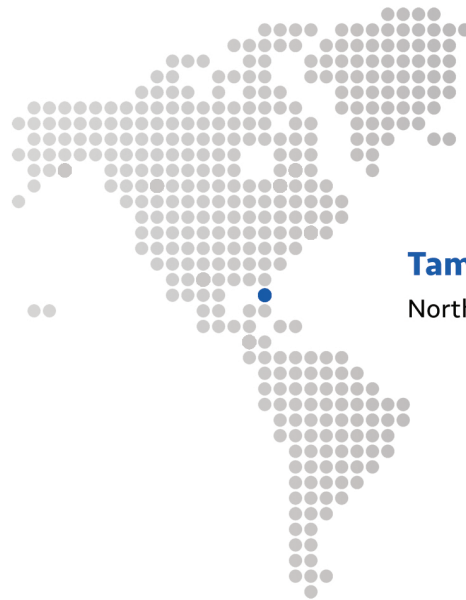
Part #	Description	Kit Qty	Wt. Lbs. (Wt. Kg)
CTBS21412	Grounding/Bonding Strap 12" Length 1/4" Attached Lugs w/Hardware	Each	0.40 (0.18)
CTBS23812	Grounding/Bonding Strap 12" Length 3/8" Attached Lugs w/Hardware	Each	0.40 (0.18)
CTBS23824	Grounding/Bonding Strap 24" Length 3/8" Attached Lugs w/Hardware	Each	0.57 (0.26)



INNOVATION & TRADITION

100 Years of Cable Manufacturing

EUPEN CABLE USA, Inc.
www.eupen.us



Tampa Bay, Florida

North American Headquarters



Contact Eupen for all your cable needs

Cables | Connectors | Tools | Jumpers | Site Accessories

5181 110th Ave N, Unit D, Clearwater, FL 33760

Ph: 800-419-5100 **Fax:** 727-528-0751

www.eupen.us customerservice@eupen.us

An ISO 9001 Company